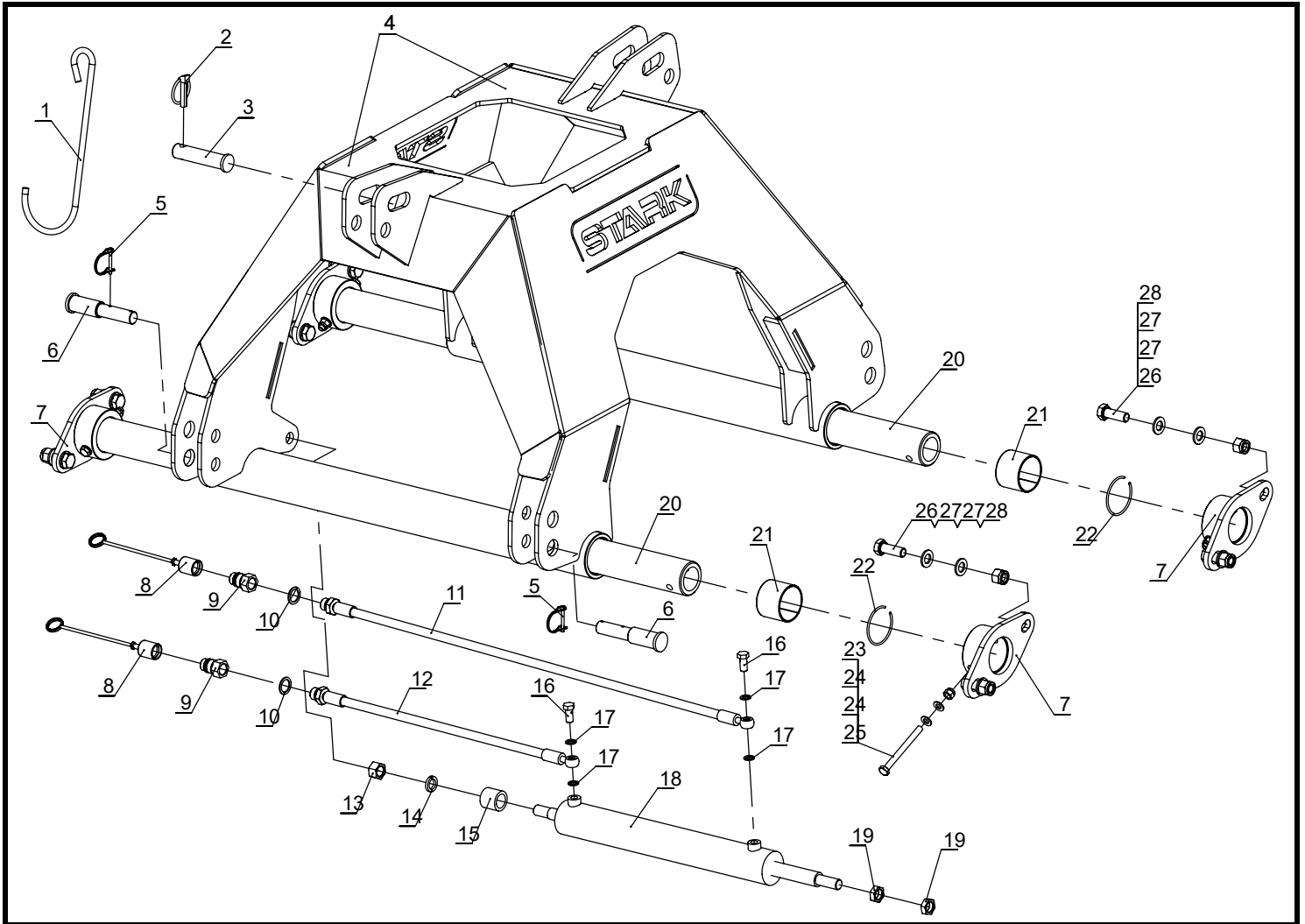


ASSEMBLY DRAWING LIST



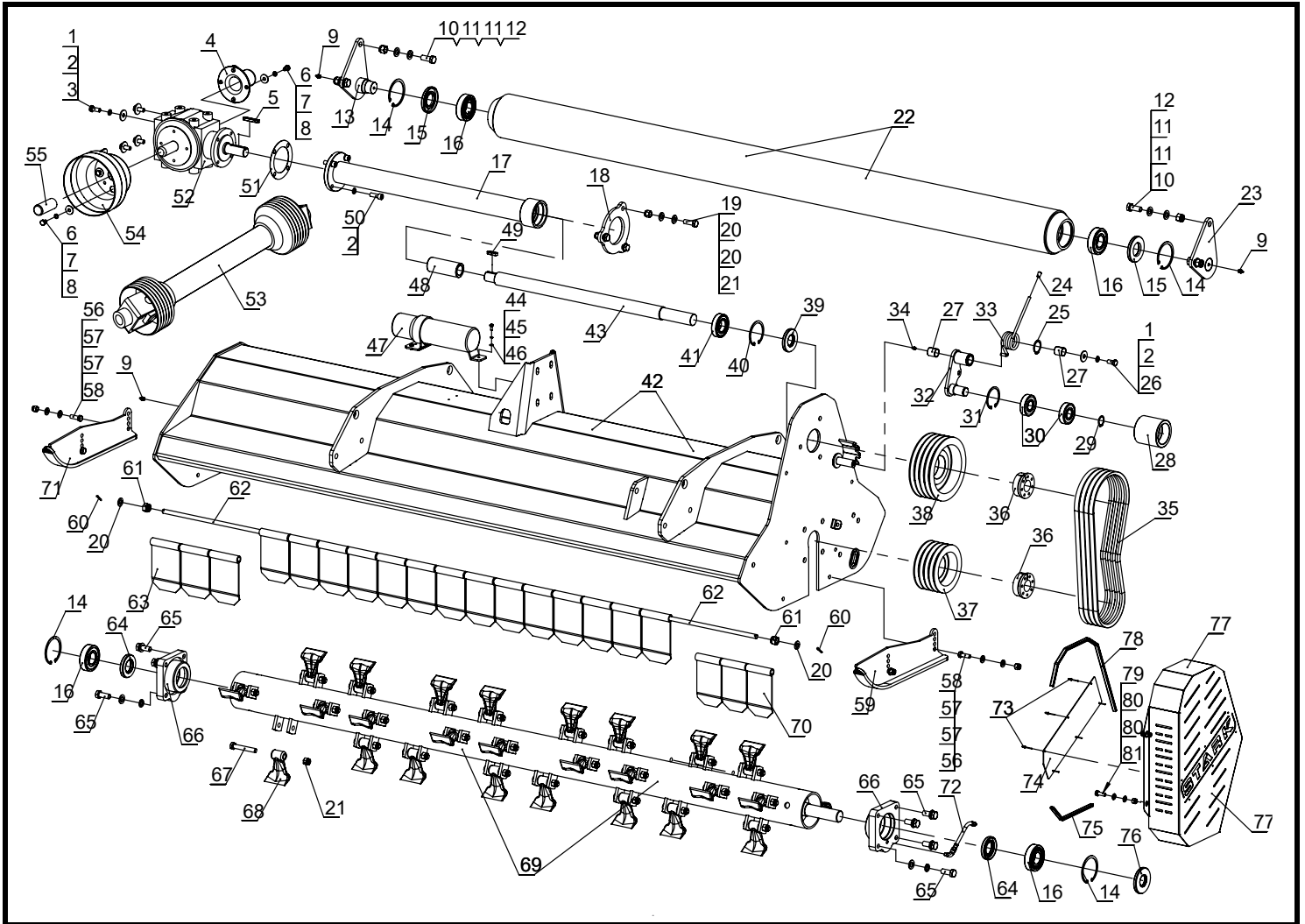
KDX PROFI three-point linkage

Ser.No	Code	Name & Specification	Quantity	Remarks
1	100002	Hook	1	KDL, KDS, KDX, KDXP, KM, KMHP
2	100003	Lock pin	1	KDL, KDX, KDXP, KM, KMHP
3	400038	Upper linkage pin	1	KDL, KDX, KDXP
4	700004	Linkage	1	KDXP
5	400034	Lock pin 4.5	2	KDX, KDXP
6	700006	Lower pin	2	KDXP
7	700007	Supporting sleeve welding	4	KDXP
8	200004	Quick change connector cover	2	KDL, KDS, KDX, KDXP, KMH, KMHP
9	200005	Hose Quick connector G1/2	2	KDL, KDS, KDX, KDXP, KMH, KMHP
10	200006	Combination washer G1/2	2	KDL, KDS, KDX, KDXP, KMH, KMHP
11	200010	Hose 1900mm	1	KMH, KMHP, KDX, KDXP
12	200007	Hose 1500mm	1	KMH, KMHP, KDX, KDXP
13	N000012	Nut M18×1.5	1	KMH, KMHP, KDX, KDXP

KDX PROFI three-point linkage

Ser.No	Code	Name & Specification	Quantity	Remarks
14	W000005	Spring washer 18	1	KMH, KMHP, KDX, KDXP
15	200013	Cylinder sleeve	1	KMH, KMHP, KDX, KDXP
16	200008	Hollow bolt	2	KDL, KDS, KDX, KDXP, KMH, KMHP
17	200009	Combination washer 12	4	KDL, KDS, KDX, KDXP, KMH, KMHP
18	400028	Cylinder	1	KDX220-240, KDXP180-240
19	N000018	Thin nut M18×1.5	2	KMH, KMHP, KDX, KDXP
20	400021	Slide pipe	2	KDX220-240, KDXP180-240
21	400016	Self-lubricating bearing 60×65×50	4	KDX220-240, KDXP180-240
22	S000016	Circlip for hole 65	4	KDX220-240, KDXP180-240
23	N000030	Lock nut M10	4	KDL, KDS, KMHP, KDX, KDXP, KS
24	W000014	Washer 10	8	KDL, KDS, KMHP, KDX, KDXP, KS
25	B000016	Bolt M10×110	4	KDX220-240, KDXP180-240
26	B000103	Bolt M16×45	8	KDL, KDX, KDXP
27	W000017	Washer 16	16	KDL, KDX, KDXP
28	N000033	Lock nut M16	8	KDL, KDX, KDXP, KM, KMHP

ASSEMBLY DRAWING LIST



KDX PROFI series

Ser.No	Code	Name & Specification	Quantity	Remarks
1	W000010	Big washer 12	5	KDL, KDS, KM, KMHP, KDX, KDXP
2	W000002	Spring washer 12	9	KDL, KDS, KM, KMHP, KDX, KDXP
3	B000084	Bolt M12×30	4	KDL, KDS, KM, KMHP, KDX, KDXP
4	400044	Shaft protection	1	KMHP, KDX, KDXP
5	K000009	Key A10×65	1	KM, KMHP, KDX, KDXP
6	B000073	Bolt M10×16	8	KDL, KDS, KM, KMHP, KDX, KDXP
7	W000001	Spring washer 10	8	KDL, KDS, KM, KMHP, KDX, KDXP, KS
8	W000009	Big washer 10	8	KDL, KDS, KM, KMHP, KDX, KDXP, KS
9	600078	Grease Nipples M10	3	KDL, KDX, KDXP, KMHP
10	B000102	Bolt M16×40	4	KDXP
11	W000017	Washer 16	8	KDL, KDX, KDXP
12	N000033	Lock nut M16	4	KDL, KDX, KDXP, KM, KMHP
13	500043	Hanging plate (Right)	1	KDL, KDX, KDXP

KDX PROFI series

Ser.No	Code	Name & Specification	Quantity	Remarks
14	S000010	Circlip for hole 90	4	KDL, KDX, KDXP
15	OS000008	Oil seal 45×90×10	2	KDL, KDX, KDXP
16	400063	Bearing 6308-RZ	4	KDL, KDX, KDXP
17	400066	Drive shaft tube for 200/220	1	KDX180-220, KDXP180-220
	400067	Drive shaft tube for 240	1	KDX240, KDXP240
18	700047	Drive shaft support plate	1	KDXP
19	B000097	Bolt M14×40	3	KM, KDX, KDXP
20	W000016	Washer 14	8	KDL, KDX, KDXP
21	N000032	Lock nut M14	N	KDL, KM, KDX, KDXP, KS
22	500054	Back roller for 180	1	KDL, KDX, KDXP
	400087	Back roller for 200	1	KDL, KDX, KDXP
	400088	Back roller for 220	1	KDL, KDX, KDXP
	400089	Back roller for 240	1	KDX, KDXP
23	400082	Hanging plate (Left)	1	KDL, KDX, KDXP
24	700055	Round tip set	1	KDXP
25	S000017	Circlip for hole 40	1	KDXP
26	B000083	Bolt M12×25	1	KDL, KDXP
27	700058	Self-lubricating bearing 25×28×30	2	KDXP
28	700059	Tension wheel	1	KDXP
29	S000018	Circlip for hole 30	1	KDXP
30	700061	Bearing 6306-2RZ	2	KDXP
31	S000008	Circlip for hole 72	1	KDXP
32	700063	Tensioning device	1	KDXP
33	700064	Tensioning spring	1	KDXP
34	000094	Oil cup M6	1	KDXP, KS
35	700066	Belt XPB 17×1270	4	KDXP
36	400083	Tension 40×80	2	KDL, KDX, KDXP
37	400086	Small pulley	1	KDX, KDXP
38	400084	Big pulley	1	KDX, KDXP
39	OS000011	Oil seal 40×80×10	1	KDX, KDXP
40	S000009	Circlip for hole 80	1	KDX, KDXP
41	400070	Bearing 6208-2RZ	1	KDX, KDXP
42	718000	Main body for 180	1	KDXP
	700073	Main body for 200	1	KDXP
	700074	Main body for 220	1	KDXP
	700075	Main body for 240	1	KDXP
43	400049	Drive shaft for 180/220	1	KDX180-220, KDXP180-220
	400050	Drive shaft for 240	1	KDX240, KDXP240
44	B000143	Cross recessed pan head screwsM6×16	3	Standart
45	W000024	Spring washer 6	3	Standart
46	W000025	Washer 6	3	Standart

KDX PROFI series

Ser.No	Code	Name & Specification	Quantity	Remarks
47	000029	Instructions box	1	Standard
48	100060	Drive shaft tube	1	KM, KMHP, KDX, KDXP
49	K000001	key A10×40	1	KM, KMHP, KDX, KDXP
50	B000146	Hex cylinder head screw M12×35	4	KM, KMHP, KDX, KDXP
51	100030	Paper washer	1	KM, KMHP, KDX, KDXP
52	400042	Gearbox	1	KMHP, KDX, KDXP
53	400093	PTO Shaft 05B1000	1	KDX, KDXP
54	000024	PTO protection	1	KDL, KDS, KM, KMHP, KDX, KDXP
55	000030	Gear box shaft cover	1	KDL, KDS, KM, KMHP, KDX, KDXP, KS
56	N000031	Lock nut M12	4	KDL, KDS, KM, KMHP, KDX, KDXP, KS
57	W000015	Washer 12	8	KDL, KDS, KM, KMHP, KDX, KDXP, KS
58	B000085	Bolt M12×35	4	KDL, KDS, KM, KMHP, KDX, KDXP, KS
59	400111	Adjust plate (left)	1	KDL, KDX, KDXP
60	P000005	Cotter pin Ø4×25	2	KDL, KDS, KM, KMHP, KDX, KDXP, KS
61	N000034	Lock nut M18	2	KDL, KDX, KDXP
62	500110	Baffle shaft for 180	1	KDL, KDX, KDXP
	400096	Baffle shaft for 200	1	KDL, KDX, KDXP
	400097	Baffle shaft for 220	1	KDL, KDX, KDXP
	400098	Baffle shaft for 240	1	KDX, KDXP
63	700099	Big baffle	N	KDXP
64	OS000009	Oil seal 45×80×10	2	KDL, KDX, KDXP
65	400101	Combination bolt M16×40	8	KDL, KDX, KDXP
66	400103	Bearing housing	2	KDL, KDX, KDXP
67	B000039	Bolt M14×90 (10.9Level)	N	KDL, KDX, KDXP
68	400108	Hammer (14 mm Hole)	N	KDL, KDX, KDXP
69	410000	Main roller for 180	1	KDX, KDXP
	400104	Main roller for 200	1	KDX, KDXP
	400105	Main roller for 220	1	KDX, KDXP
	400106	Main roller for 240	1	KDX, KDXP
70	700108	Small baffle	N	KDXP
71	400094	Adjust plate (right)	1	KDL, KDX, KDXP
72	700110	Lubrication hose	1	KDXP
73	B000148	Rivet Ø4×8	6	KDXP
74	700112	Plate for belt protection	1	KDXP
75	700113	U-shaped sealing strip 0,3 m	0.3m	KDXP
76	OS000010	Oil seal 40×90×10	1	KDL, KDX, KDXP
77	700115	Belt cover	1	KDXP
78	700116	U-shaped sealing strip 0,7 m	0.7m	KDXP
79	N000030	Lock nut M10	4	KDL, KDS, KMHP, KDX, KDXP, KS
80	W000014	Washer 10	8	KDL, KDS, KMHP, KDX, KDXP, KS
81	B000076	Bolt M10×30	4	KDL, KDS, KDXP