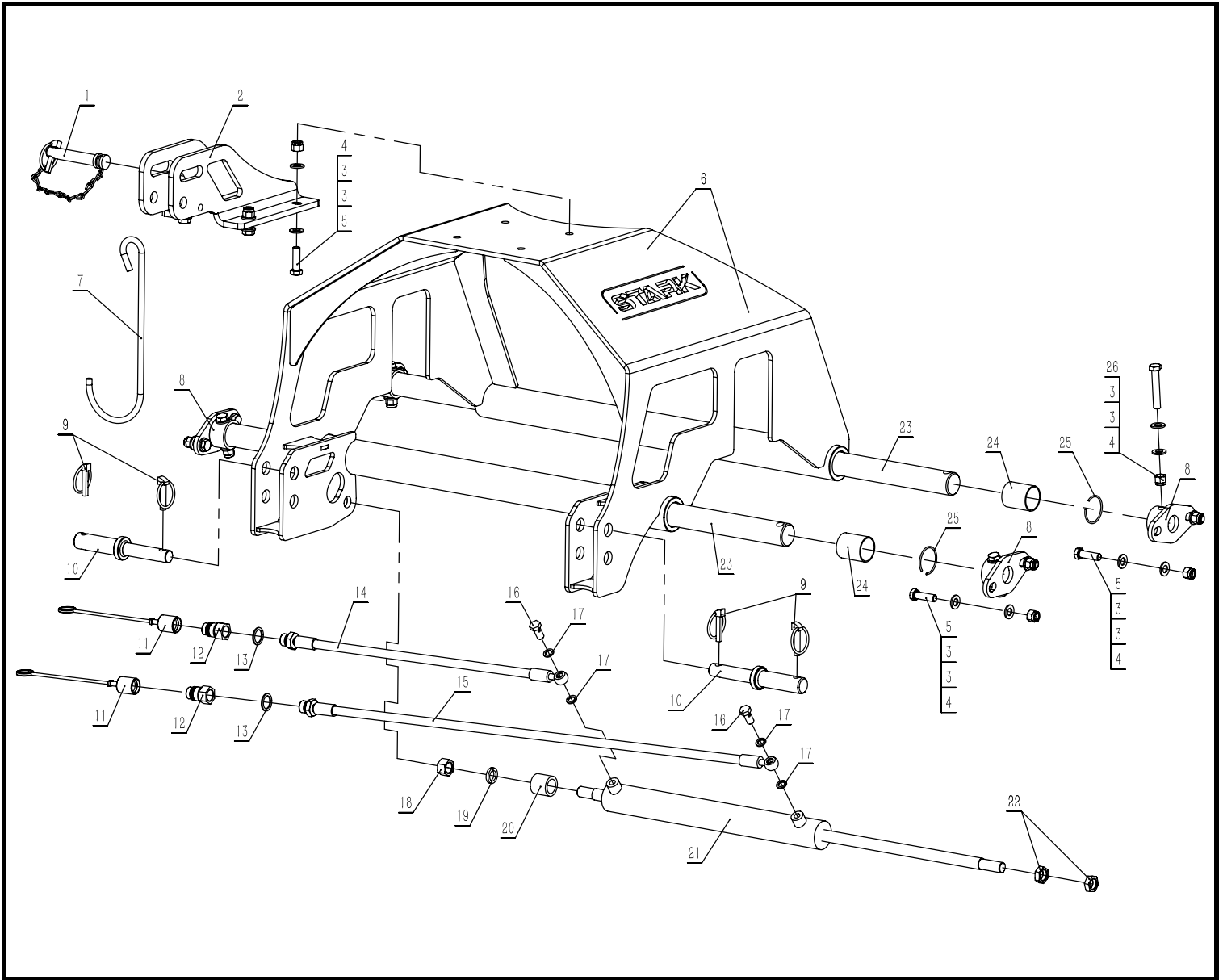


## ASSEMBLY DRAWING LIST



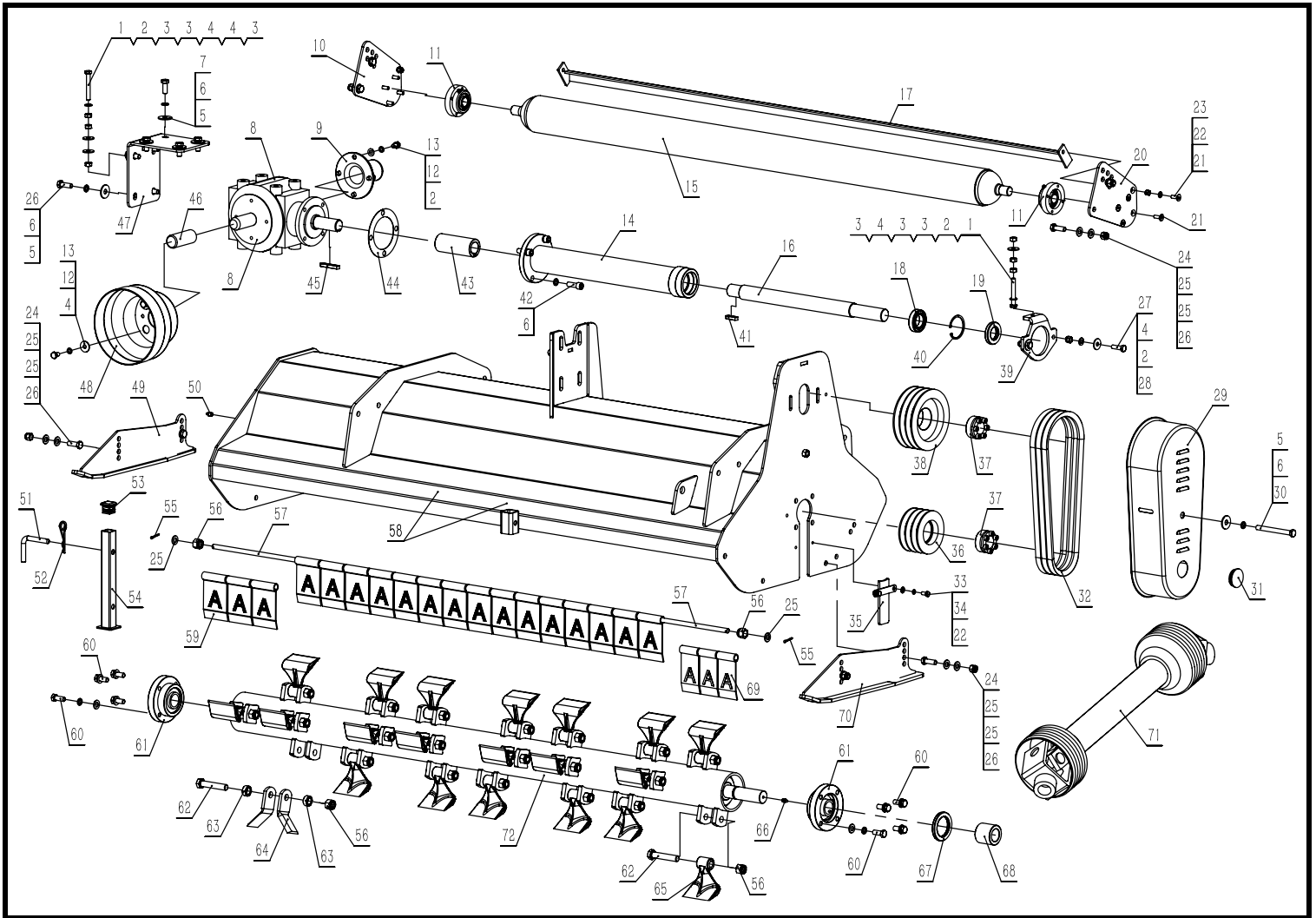
### KMH PROFI three-point linkage

Ser.No	Code	Name & Specification	Quantity	Remarks
1	000001	Upper linkage pin	1	KDS, KM, KMHP, KS
2	600002	Upper linkage welding parts	1	KMHP
3	W000015	Washer 12	32	KDL, KDS, KM, KM, KMHP, KDX, KDXP, KS
4	N000031	Lock nut M12	16	KDL, KDS, KM, KMHP, KDX, KDXP, KS
5	B000086	Bolt M12×40	12	KDS, KM, KMHP
6	600006	Linkage	1	KMHP
7	100002	Hook	1	KDL, KDS, KDX, KDXP, KM, KMHP
8	600008	Support welding parts	4	KMHP
9	100003	Lock pin	4	KDL, KDX, KDXP, KM, KMHP
10	100004	Lower linkage pin	2	KM, KMHP

### KMH PROFI three-point linkage

Ser.No	Code	Name & Specification	Quantity	Remarks
11	200004	Quick change connector cover	2	KDL, KDS, KDX, KDXP, KMH, KMHP
12	200005	Hose Quick connector G1/2	2	KDL, KDS, KDX, KDXP, KMH, KMHP
13	200006	Combination washer G1/2	2	KDL, KDS, KDX, KDXP, KMH, KMHP
14	200007	Hose 1500mm	1	KMH, KMHP, KDX, KDXP
15	200010	Hose 1900mm	1	KMH, KMHP, KDX, KDXP
16	200008	Hollow bolt	2	KDL, KDS, KDX, KDXP, KMH, KMHP
17	200009	Combination washer 12	4	KDL, KDS, KDX, KDXP, KMH, KMHP
18	N000012	Nut M18×1.5	1	KMH, KMHP, KDX, KDXP
19	W000005	Spring washer 18	1	KMH, KMHP, KDX, KDXP
20	200013	Cylinder sleeve	1	KMH, KMHP, KDX, KDXP
21	200014	Cylinder	1	KDX180-200, KMH, KMHP
22	N000018	Thin nut M18×1.5	2	KMH, KMHP, KDX, KDXP
23	200022	Slide pipe	2	KMH, KMHP
24	200023	Self-lubricating bearing 40×44×50	4	KDX180-200, KDL, KMH, KMHP
25	S000015	Circlip for hole 45	4	KDX180-200, KMH, KMHP
26	B000029	Bolt M12×70	4	KMH, KMHP

## ASSEMBLY DRAWING LIST



### KMH PROFI series

Ser.No	Code	Name & Specification	Quantity	Remarks
1	B000139	Bolt M10×75	2	KMHP
2	W000014	Washer 10	8	KDL, KDS, KMHP, KDX, KDXP, KS
3	N000001	Nut M10	6	KMHP, KS
4	W000009	Big washer 10	9	KDL, KDS, KM, KMHP, KDX, KDXP, KS
5	W000010	Big washer 12	9	KDL, KDS, KM, KMHP, KDX, KDXP
6	W000002	Spring washer 12	13	KDL, KDS, KM, KMHP, KDX, KDXP
7	B000084	Bolt M12×30	4	KDL, KDS, KM, KMHP, KDX, KDXP
8	400042	Gearbox	1	KMHP, KDX, KDXP
9	400044	Shaft protection	1	KMHP, KDX, KDXP
10	100023	Roller connect plate (Right)	1	KMH, KMHP
11	100028	Bearings UC205	2	KDS, KM, KMHP

## KMH PROFI series

Ser.No	Code	Name & Specification	Quantity	Remarks
12	W000001	Spring washer 10	8	KDL, KDS, KM, KMHP, KDX, KDXP, KS
13	B000073	Bolt M10×16	8	KDL, KDS, KM, KMHP, KDX, KDXP
14	100056	Drive shaft pipe	1	KMH175, KMP155-175
15	100032	Back roller for 155	1	KM, KMHP
	100033	Back roller for 175	1	KM, KMHP
16	100037	Drive shaft	1	KM175, KMHP155-175
17	100025	Scraper welded parts for 155	1	KM, KMHP
	100026	Scraper welded parts for 175	1	KM, KMHP
18	100038	Bearing 6007-2RZ	1	KM, KMHP
19	OS000002	Oil seal 35×62×10	1	KM, KMHP
20	100040	Roller connect plate (Left)	1	KM, KMHP
21	B000138	Hexagon socket countersunk head screws M8×25	10	KDS, KM, KMHP
22	W000021	Washer 8	4	KDL, KDS, KM, KMHP
23	N000039	Lock nut M8	2	KDL, KM, KMHP, KS
24	N000031	Lock nut M12	8	KDL, KDS, KM, KMHP, KDX, KDXP, KS
25	W000015	Washer 12	18	KDL, KDS, KM, KMHP, KDX, KDXP, KS
26	B000085	Bolt M12×35	12	KDL, KDS, KM, KMHP, KDX, KDXP, KS
27	B000077	Bolt M10×35	2	KMHP
28	N000030	Lock nut M10	2	KDL, KDS, KMHP, KDX, KDXP, KS
29	000056	Belt cover	1	KDS, KM, KMHP, KS
30	B000025	Bolt M12×120	1	KDS, KM, KMHP
31	000055	Rubber	1	KDS, KM, KMHP, KS
32	100048	Belt 17×1016	3	KM, KMHP
33	B000109	Bolt M8×16	2	KDL, KMHP, KS
34	W000008	Spring washer 8	2	KDL, KMHP, KS
35	600063	T cover	1	KMHP
36	100090	Small pulley	1	KM, KMHP
37	100049	Tension 35×60	2	KDS, KM, KMHP
38	100050	Big pulley	1	KM, KMHP
39	600067	Drive shaft support plate	1	KMHP
40	S000006	Circlip for hole 62	1	KM, KMHP
41	K000001	Key A10×40	1	KM, KMHP, KDX, KDXP
42	B000146	Hex cylinder head screw M12×35	4	KM, KMHP, KDX, KDXP
43	100060	Drive shaft tube	1	KM, KMHP, KDX, KDXP
44	100030	Paper washer	1	KM, KMHP, KDX, KDXP
45	K000009	Key A10×65	1	KM, KMHP, KDX, KDXP
46	000030	Gear box shaft cover	1	KDL, KDS, KM, KMHP, KDX, KDXP, KS
47	600075	Bracket for gearbox	1	KMHP
48	000024	PTO protection	1	KDL, KDS, KM, KMHP, KDX, KDXP
49	100070	Adjust plate (right)	1	KM, KMHP

## KMH PROFI series

Ser.No	Code	Name & Specification	Quantity	Remarks
50	600078	Grease Nipples M10	1	KDL, KDX, KDXP, KMHP
51	000064	Pin for support foot	1	KDL, KDS, KM, KMHP, KS
52	000063	R pin Ø3.5	1	KDL, KDS, KM, KMHP, KS
53	000062	Support tube plug	1	KDS, KM, KMHP, KS
54	000065	Support foot	1	KM, KMHP, KS
55	P000005	Cotter pin Ø4×25	2	KDL, KDS, KM, KMHP, KDX, KDXP, KS
56	N000033	Lock nut M16	N	KDL, KDS, KDX, KDXP, KM, KMHP
57	100086	Baffle shaft for 155	1	KM, KMHP
	100087	Baffle shaft for 175	1	KM, KMHP
58	600087	Main body for 155	1	KMHP
	600088	Main body for 175	1	KMHP
59	000070	Big baffle	N	KDS, KM, KMHP, KS
60	100073	Composite bolt M12×30	8	KDS, KM, KMHP
61	100074	Bearings UC207	2	KDS, KM, KMHP
62	B000047	Bolt M16×85 (10.9 Level)	N	KM, KMHP
63	100076	Blade sleeve	N	Optional
64	100077	Y Blade	N	
65	100082	Hammer	N	KM, KMHP
66	000082	Grease Nipples M8	1	KDS, KM, KMHP, KS
67	OS000005	Oil seal 55×80×10	1	KDS, KM, KMHP
68	100089	Sleeve	1	KDS, KM, KMHP
69	000069	Small baffle	N	KDS, KM, KMHP, KS
70	100088	Adjust plate (Left)	1	KM, KMHP
71	000028	PTO shaft 04B1000	1	KM, KMHP, KS
72	100079	Main roller for 155	1	KM, KMHP
	100080	Main roller for 175	1	KM, KMHP