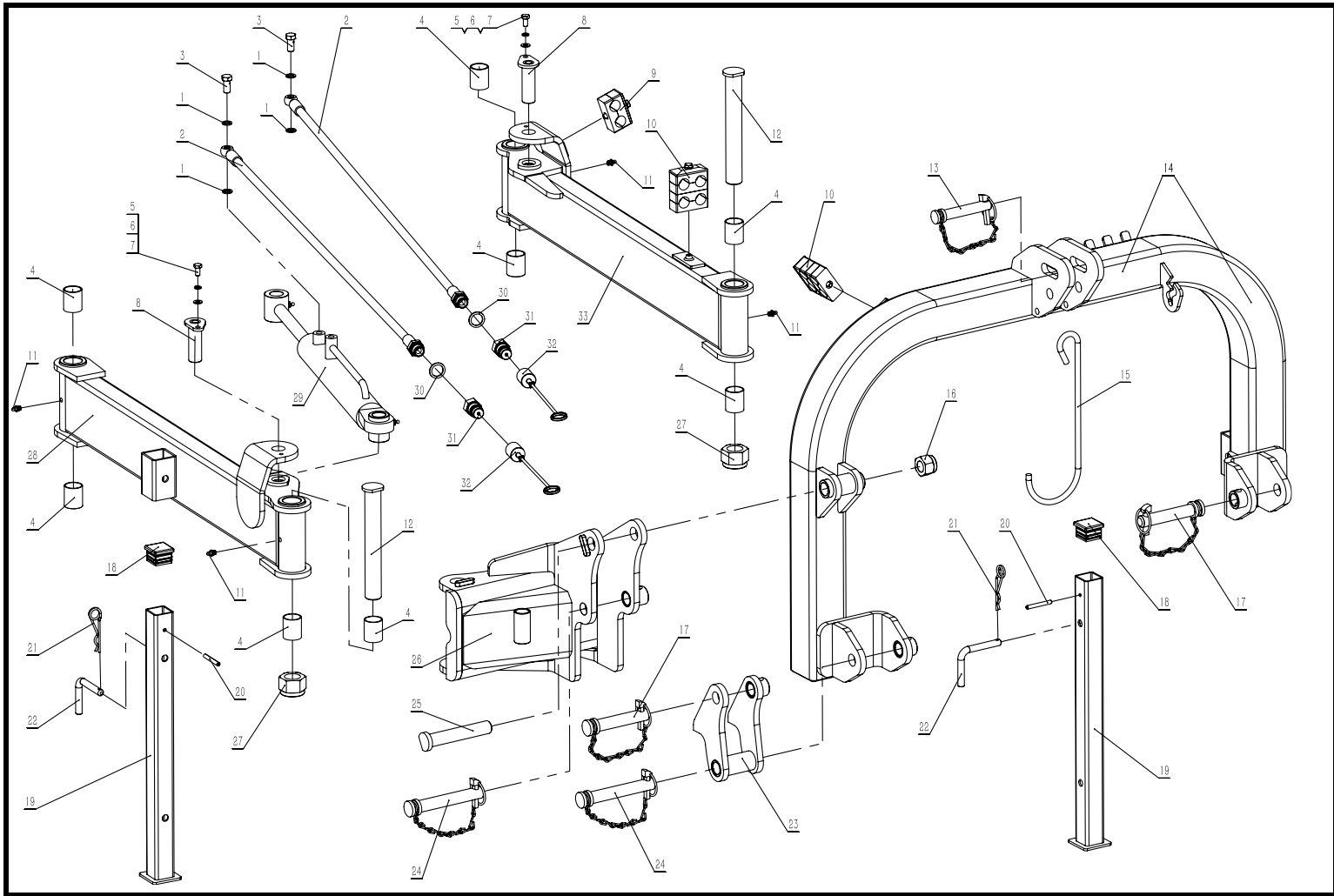


ASSEMBLY DRAWING LIST



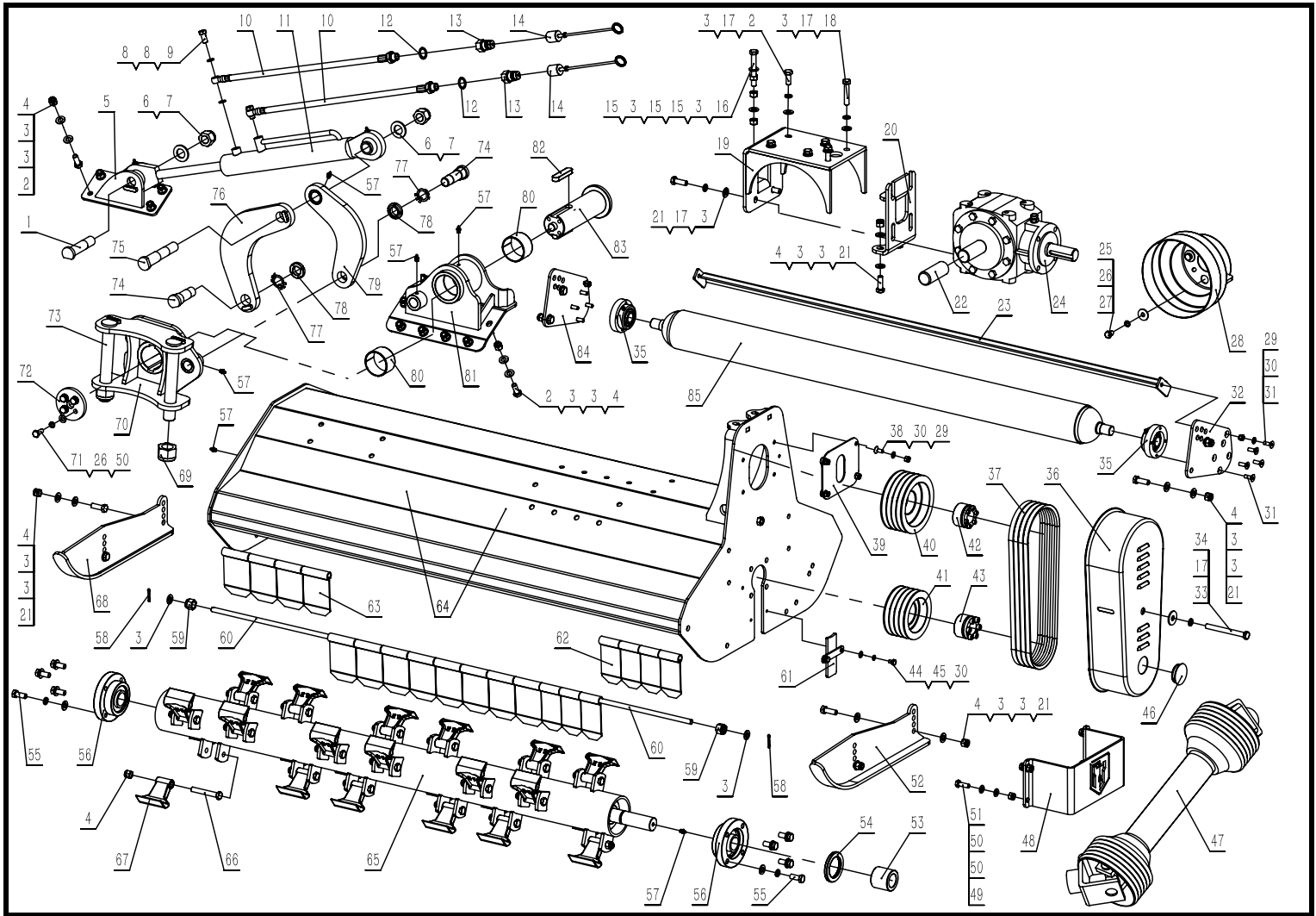
KDS PROFI three-point linkage

Ser. No	Code	Name & Specification	Quantity
1	200009	Combination washer 12	4
2	120002	Hose 2400	2
3	200008	Hollow bolt	2
4	300001	Self-lubricating bearing 30×34×40	8
5	W000021	Washer M8	2
6	W000008	Spring washer M8	2
7	B000109	Bolt M8×16	2
8	120008	Cylinder pin	2
9	800028	Hose holder	1
10	800039	Double hose holder	2
11	000082	Grease Nipples M8	4
12	300075	Connection pipe (Long pin)	2
13	000001	Upper linkage pin	1
14	120014	Linkage	1
15	100002	Hook	1
16	N000036	Lock nut M24	1
17	300014	Lower linkage pin	2
18	500018	Support tube plug	2

KDS PROFI three-point linkage

Ser. No	Code	Name & Specification	Quantity
19	500019	Support foot	2
20	800030	Spring pin 6×55	2
21	000063	R pin 3.5	2
22	000064	Pin for support foot	2
23	120023	Lower locking	1
24	120024	Protect pin	2
25	120025	Lower linkage pin	1
26	120026	Lifting joint welding parts	1
27	N000037	Lock nut M30	2
28	120028	(Right) Joint square tube weldment	1
29	120029	Hydraulic cylinder	1
30	200006	Combination washer G1/2	2
31	200005	Hose Quick connector G1/2	2
32	200004	Quick change connector cover	2
33	120033	(Left) Joint square tube weldment	1

ASSEMBLY DRAWING LIST



KDS PROFI series

Ser. No	Code	Name & Specification	Quantity
1	120040	Cylinder pin	1
2	B000084	Bolt M12×30	18
3	W000015	Washer M12	62
4	N000031	Lock nut M12	48
5	120044	Cylinder holder 125	1
	120045	Cylinder holder 145	1
6	W000019	Washer M24	2
7	N000036	Lock nut M24	2
8	200009	Combination washer 12	4
9	200008	Hollow bolt	2
10	500032	Hose 3350	2
11	300069	Hydraulic cylinder A	1
12	200006	Combination washer G1/2	2
13	200005	Hose Quick connector G1/2	2
14	200004	Quick change connector cover	2
15	N000002	Nut M12	3
16	B000289	Bolt M12×90	1

KDS PROFI series

Ser. No	Code	Name & Specification	Quantity
17	W000002	Spring washer M12	11
18	B000389	Bolt M12×60	2
19	120059	Bracket for gearbox	1
20	120060	Gearbox adjustment plate	1
21	B000085	Bolt M12×35	14
22	000030	Gearbox shaft cover	1
23	100024	Scraper for 125	1
	120063	Scraper for 145	1
24	100029	Gearbox	1
25	W000009	Big washer 10	4
26	W000001	Spring washer M10	8
27	B000073	Bolt M10×16	4
28	000024	PTO protection	1
29	N000039	Lock nut M8	6
30	W000021	Washer M8	8
31	B000138	Bolt M8×25	10
32	100040	Roller connect plate (Left)	1
33	B000025	Bolt M12×120	1
34	W000010	Big washer 12	1
35	100028	Bearings UC205	2
36	000056	Belt cover	1
37	300104	Belt 13×1016	4
38	B000338	Bolt M8×20	4
39	120080	Gearbox cover	1
40	300101	Big pulley	1
41	300100	Small pulley	1
42	300103	Tension 33×60	1
43	100049	Tension 35×60	1
44	B000208	Bolt M8×12	2
45	W000008	Spring washer M8	2
46	000055	Rubber	1
47	300046	PTO Shaft 04B1400	1
48	120089	Belt guard shield	1
49	N000030	Lock nut M10	4
50	W000014	Washer M10	12
51	B000076	Bolt M10×30	4
52	400111	Adjust plate (Left)	1
53	100089	Sleeve	1
54	OS000005	Oil seal 55×80×10	1
55	100073	Combination bolt M12×30	8
56	100074	Bearings UC207	2
57	000082	Grease Nipples M8	6
58	P000005	Cotter pin 4×25	2
59	N000033	Lock nut M16	2
60	100085	Baffle shaft for 125	1
	300080	Baffle shaft for 145	1
61	120103	T cover	1

KDS PROFI series

Ser. No	Code	Name & Specification	Quantity
62	120104	Small baffle	N
63	120105	Big baffle	N
64	120106	Main body for 125	1
	120107	Main body for 145	1
65	300088	Main roller for 125	1
	300089	Main roller for 145	1
66	B000032	Bolt M12×80 (10.9Level)	20/24
67	300087	Hammer	20/24
68	400094	Adjust plate (Right)	1
69	N000037	Lock nut M30	2
70	120114	Overturning bracket	1
71	B000075	Bolt M10×25	4
72	120116	Limit plate	1
73	300075	Connection pipe (Long pin)	2
74	120118	Connecting bracket (small) pin	2
75	120119	Connecting bracket (big) pin	1
76	120120	Connecting bracket (big)	1
77	W100001	Lock washer M24	2
78	N000128	Lock nut M24	2
79	120123	Connecting bracket (small)	1
80	300062	Self-lubricating bearing 63x68x40	2
81	120125	Overturning bracket support	1
82	K000010	Key 18×80	2
83	120127	Overturning bracket support axis	1
84	100023	Roller connect plate (Right)	1
85	100031	Back roller for 125	1
	300038	Back roller for 145	1