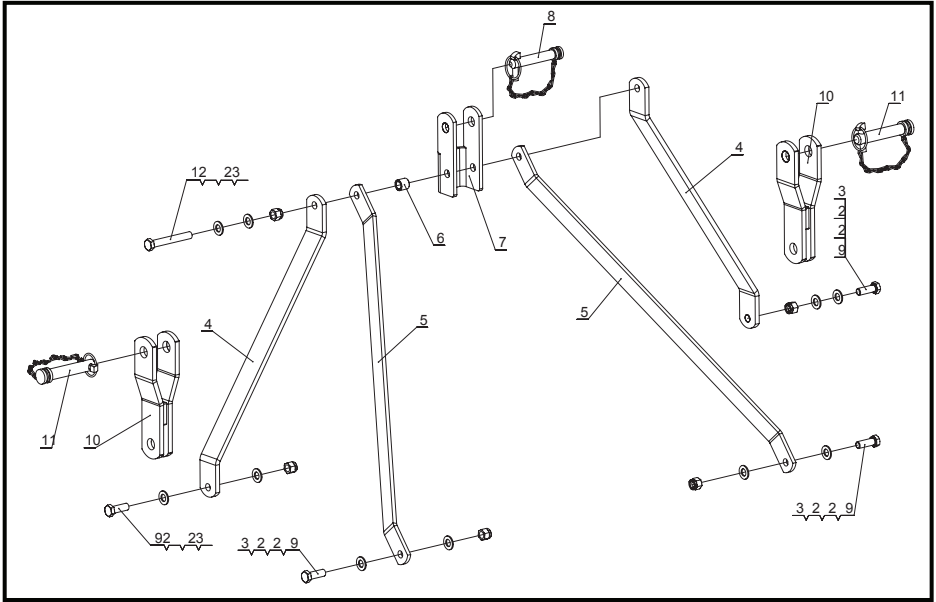


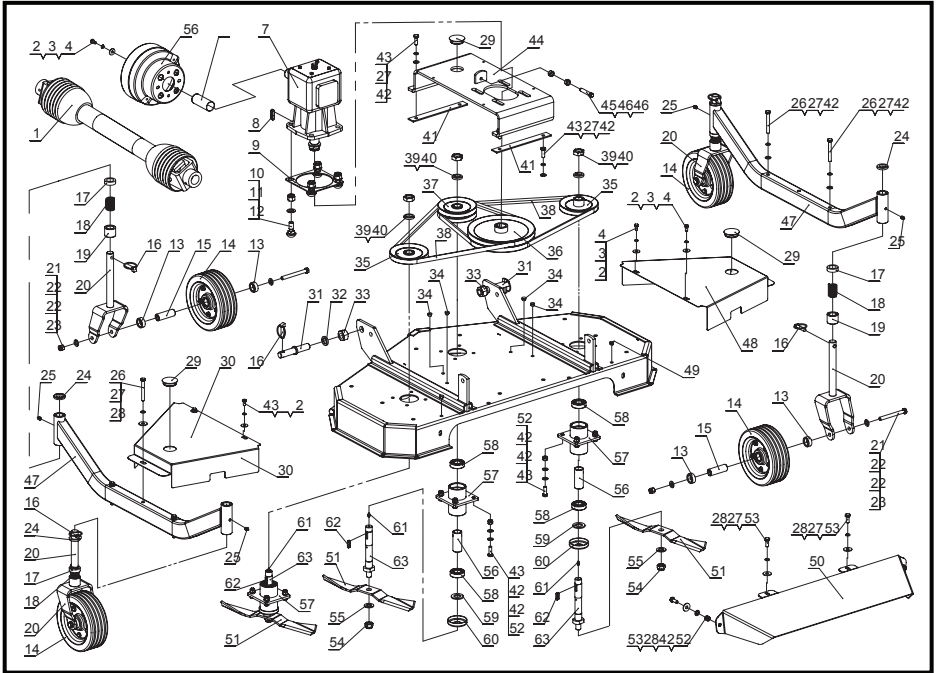
## ASSEMBLY DRAWING LIST



## GRS PROFI three-point linkage

Ser. No	Code	Name & Specification	Quantity
1	B000152	Bolt M12×50	1
2	W000016	Washer M14	10
3	N000032	Lock nut M14	5
4	170001	Three-point linkage	2
5	170002	Three-point linkage for 120	2
	170003	Three-point linkage for 150	2
	170004	Three-point linkage for 180	2
6	170005	Upper linkage sleeve	1
7	170006	Upper linkage parts	1
8	000001	Upper linkage pin	1
9	B000097	Bolt M14×40	4
10	170065	Lower locking	2
11	300014	Lower linkage pin	2

## ASSEMBLY DRAWING LIST



## GRS PROFI series

Ser. No	Code	Name & Specification	Quantity
1	000028	PTO shaft 04B1000	1
2	W000013	Big washer 8	8
3	W000008	Spring washer M8	8
4	B000109	Bolt M8×16	8
5	000024	PTO protection	1
6	000030	Gearbox shaft cover	1
7	170033	Gearbox	1
8	K000001	Key A10×40	1
9	170035	Gearbox gasket	1
10	N000033	Lock nut M16	4
11	W000017	Washer M16	4

**GRS PROFI series**

<b>Ser. No</b>	<b>Code</b>	<b>Name &amp; Specification</b>	<b>Quantity</b>
12	B000353	Special bolt M16×45	4
13	170021	Nylon wheel spacer	8
14	170022	Rubber wheel	4
15	170023	Wheel axle	4
16	100003	Lock pin	6
17	170016	Wheel chassis sleeve	4
18	170017	Wheel chassis spring	4
19	170018	Wheel chassis sleeve (big)	4
20	170019	Wheel chassis	4
21	B000024	Bolt M12×110	4
22	W000015	Washer M12	8
23	N000031	Lock nut M12	4
24	170015	Chassis mount sleeve	4
25	000082	Grease Nipples M8	4
26	B000023	Bolt M10×80	6
27	W000001	Spring washer M10	12
28	W000009	Big washer 10	6
29	000055	Rubber	3
30	170088	Belt cover for 120 (Left)	1
	170089	Belt cover for 150 (Left)	1
	170090	Belt cover for 180 (Left)	1
31	170064	Lower linkage pin	2
32	W000006	Spring washer M22	2
33	N000006	Nut M22	2
34	170098	Body plug	6
35	170050	Small pulley (single)	2
36	170052	Big pulley (double)	1
37	170051	Small pulley (double)	1
38	170047	Belt 17×1575	2
	170048	Belt 17×1753	2
	170049	Belt 17×1956	2

### GRS PROFI series

Ser. No	Code	Name & Specification	Quantity
39	N000120	Nut M24×1.5	3
40	W000036	Spring washer M24	3
41	170044	Rubber seal	2
42	W000014	Washer M10	34
43	B000076	Bolt M10×30	16
44	170043	Bracket for gearbox	1
45	B000255	Tension bolt M12×60	1
46	N000002	Nut M12	2
47	170057	Chassis mount	2
	170058	Chassis mount	2
48	170059	Belt cover for 120 (Right)	1
	170060	Belt cover for 150 (Right)	1
	170061	Belt cover for 180 (Right)	1
49	170082	Main body for 120	1
	170083	Main body for 150	1
	170084	Main body for 180	1
50	170071	Grass flow cover	1
51	170073	Blade for 120	3
	170074	Blade for 150	3
	170075	Blade for 180	3
52	N000030	Lock nut M10	14
53	B000075	Bolt M10×25	4
54	N000012	Nut M18×1.5	3
55	W000005	Spring washer M18	3
56	170085	Bearing sleeve	3
57	170080	Bearing seat	3
58	170081	Bearing 6205-RZ	6
59	W000019	Washer M24	3
60	170087	Bearing cover	3
61	000094	Grease Nipples M6	3
62	K000018	Key A8×28	3
63	170072	Bearing axis	3