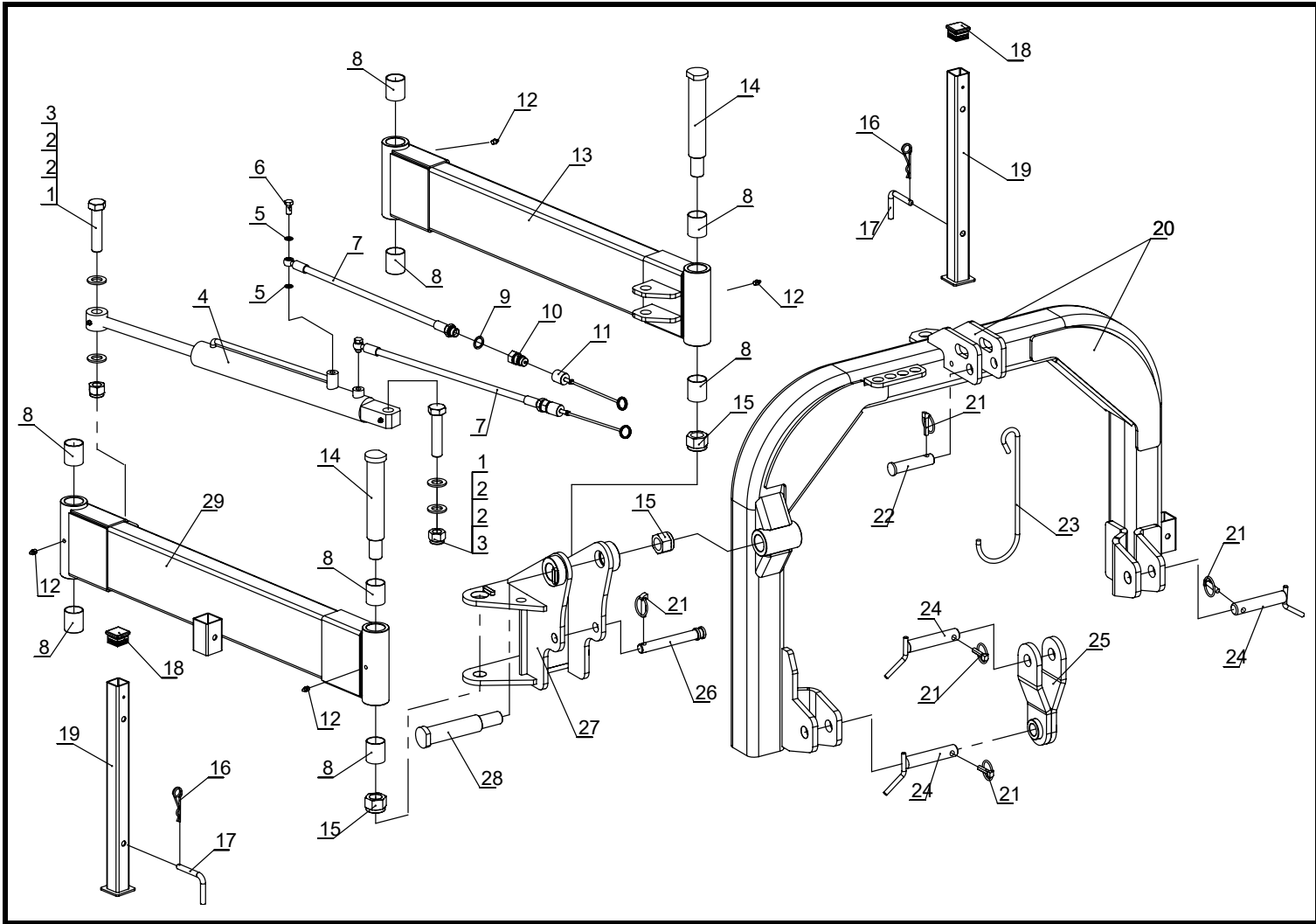


ASSEMBLY DRAWING LIST



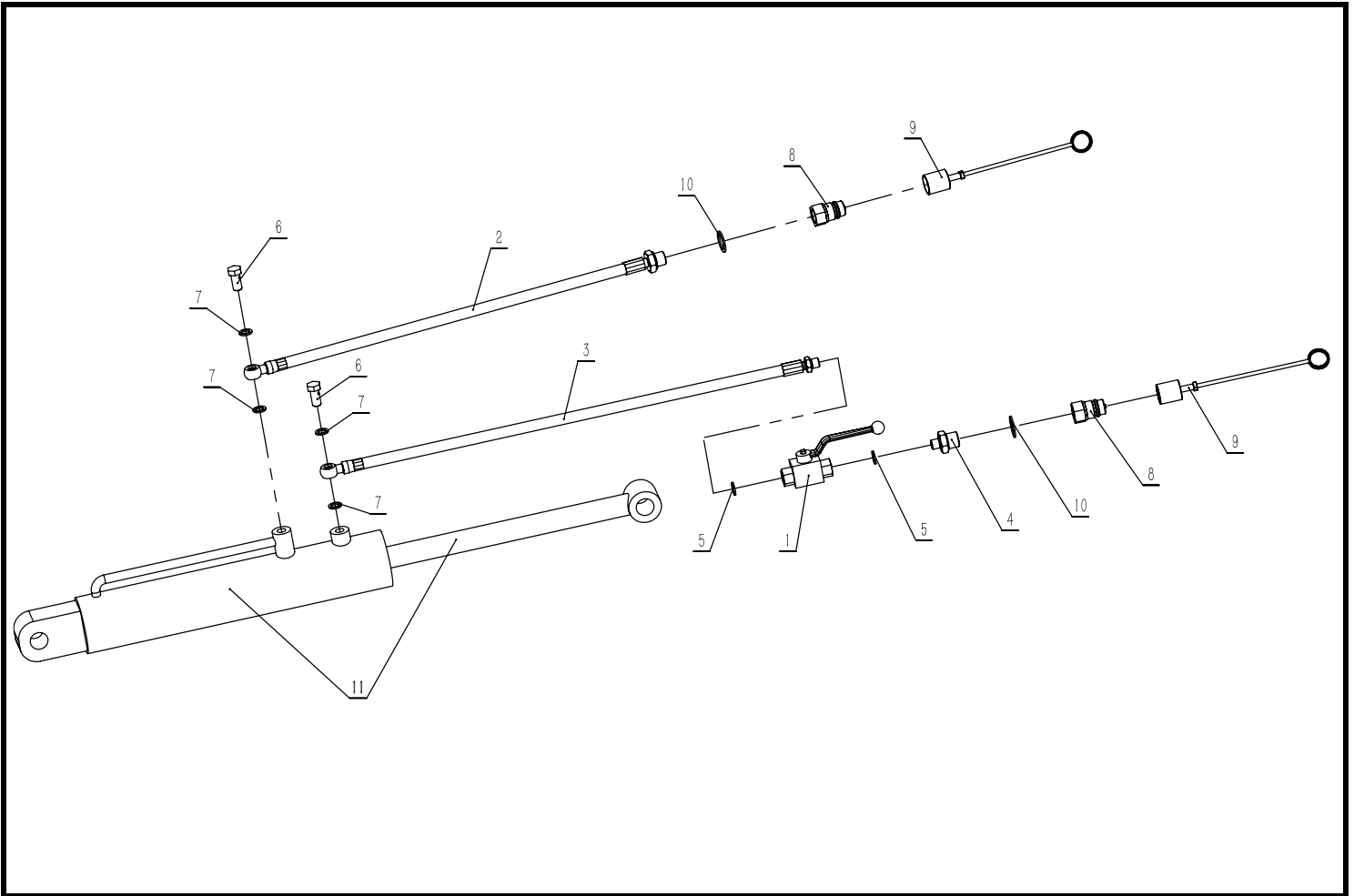
KDL Linkage

Ser.No	Code	Name & Specification	Quantity	Remarks
1	B000059	Bolt M24×110	2	KDL, KDS
2	W000019	Washer 24	4	KDL, KDS
3	N000036	Lock nut M24	2	KDL, KDS
4	500004	Flipping cylinder	1	KDL
5	200009	Combination washer 12	4	KDL, KDS, KDX, KDXP, KMH, KMHP
6	200008	Hollow bolt	2	KDL, KDS, KDX, KDXP, KMH, KMHP
7	500007	Hose 200	2	KDL, KDS
8	200023	Self-lubricating bearing 40×44×50	8	KDX180-200, KDL, KMH, KMHP
9	200006	Combination washer G1/2	2	KDL, KDS, KDX, KDXP, KMH, KMHP
10	200005	Hose Quick connector G1/2	2	KDL, KDS, KDX, KDXP, KMH, KMHP
11	200004	Quick change connector cover	2	KDL, KDS, KDX, KDXP, KMH, KMHP

KDL Linkage

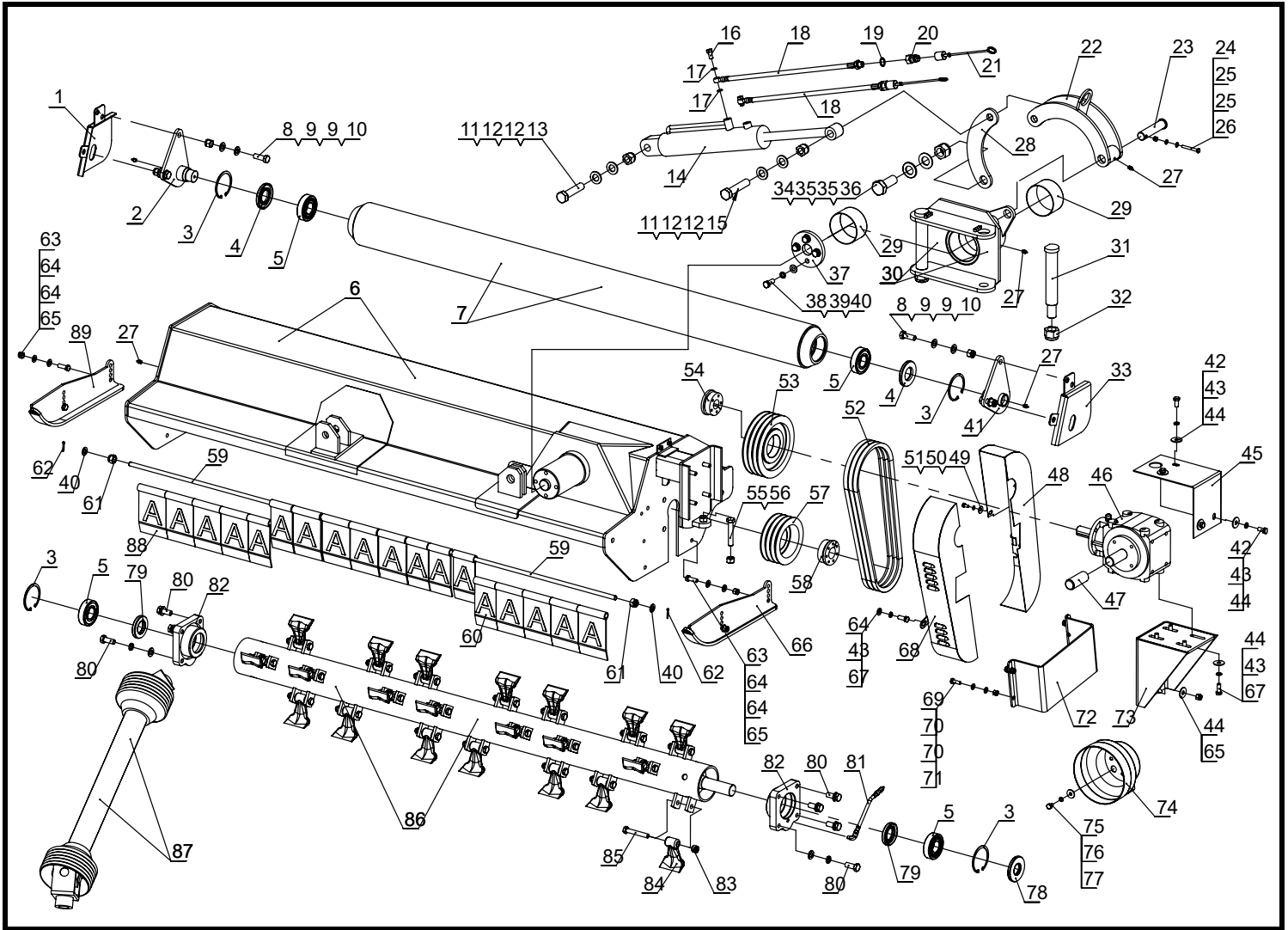
Ser.No	Code	Name & Specification	Quantity	Remarks
12	600078	Grease Nipples M10	4	KDL, KDX, KDXP, KMHP
13	500013	Left joint square tube weldment	1	KDL
14	500014	Connection pipe (Long pin)	2	KDL
15	N000040	Lock nut M30×2	3	KDL
16	000063	R pin Ø3.5	2	KDL, KDS, KM, KMHP, KS
17	000064	Pin for support foot	2	KDL, KDS, KM, KMHP, KS
18	500018	Support tube plug	2	KDL
19	500019	Support foot	2	KDL
20	500020	Linkage	1	KDL140-180
	500021	Linkage	1	KDL200-220
21	100003	Lock pin	5	KDL, KDX, KDXP, KM, KMHP
22	400038	Upper linkage pin	1	KDL, KDX, KDXP
23	100002	Hook	1	KDL, KDS, KDX, KDXP, KM, KMHP
24	500025	Lower linkage pin	3	KDL
25	500026	Lower locking	1	KDL
26	500027	Protect pin	1	KDL
27	500028	Lifting joint welding parts	1	KDL
28	500029	Connection pipe (Tittle pin)	1	KDL
29	500030	Right joint square tube weldment	1	KDL

ASSEMBLY DRAWING LIST



KDL valve system				
Ser.No	Code	Name & Specification	Quantity	Remarks
1	500031	High pressure ball valve	1	KDL
2	500032	Hose 3350	1	KDL, KDS
3	500033	Hose (Valve)	1	KDL
4	500034	Adapter (G1/2-G1/4)	1	KDL
5	500035	Combination washer G1/4	2	KDL
6	200008	Hollow bolt	2	KDL, KDS, KDX, KDXP, KMH, KMHP
7	200009	Combination washer 12	4	KDL, KDS, KDX, KDXP, KMH, KMHP
8	200005	Hose Quick connector G1/2	2	KDL, KDS, KDX, KDXP, KMH, KMHP
9	200004	Quick change connector cover	2	KDL, KDS, KDX, KDXP, KMH, KMHP
10	200006	Combination washer G1/2	2	KDL, KDS, KDX, KDXP, KMH, KMHP
11	500041	Flipping cylinder	1	KDL

ASSEMBLY DRAWING LIST



KDL series				
Ser.No	Code	Name & Specification	Quantit	Remarks
1	400055	Right roller protect	1	KDL, KDX
2	500043	Hanging plate (Right)	1	KDL, KDX, KDXP
3	S000010	Circlip for hole 90	4	KDL, KDX, KDXP
4	OS000008	Oil seal 45×90×10	2	KDL, KDX, KDXP
5	400063	Bearing 6308-RZ	4	KDL, KDX, KDXP
6	500047	Main body for 140	1	KDL
	500048	Main body for 160	1	KDL
	500049	Main body for 180	1	KDL
	500050	Main body for 200	1	KDL
	500051	Main body for 220	1	KDL
7	500052	Back roller for 140	1	KDL
	500053	Back roller for 160	1	KDL

KDL series

Ser.No	Code	Name & Specification	Quantit	Remarks
	500054	Back roller for 180	1	KDL, KDX, KDXP
	400087	Back roller for 200	1	KDL, KDX, KDXP
	400088	Back roller for 220	1	KDL, KDX, KDXP
8	B000103	Bolt M16×45	4	KDL, KDX, KDXP
9	W000017	Washer 16	8	KDL, KDX, KDXP
10	N000033	Lock nut M16	4	KDL, KDX, KDXP, KM, KMHP
11	N000036	Lock nut M24	2	KDL, KDS
12	W000019	Washer 24	4	KDL, KDS
13	B000059	Bolt M24×110	1	KDL, KDS
14	500063	Overturning cylinder A	1	KDL
15	B000060	Bolt M24×120	1	KDL, KDS
16	200008	Hollow bolt	2	KDL, KDS, KDX, KDXP, KMH, KMHP
17	200009	Combination washer 12	4	KDL, KDS, KDX, KDXP, KMH, KMHP
18	500032	Hydraulic hose 3350	2	KDL, KDS
19	200006	Combination washer G1/2	2	KDL, KDS, KDX, KDXP, KMH, KMHP
20	200005	Hose Quick connector G1/2	2	KDL, KDS, KDX, KDXP, KMH, KMHP
21	200004	Quick change connector cover	2	KDL, KDS, KDX, KDXP, KMH, KMHP
22	500071	Connecting bracket (big)	1	KDL
23	500072	Connecting bracket (big) pin	1	KDL
24	N000039	Lock nut M8	1	KDL, KM, KMHP, KS
25	W000021	Washer 8	2	KDL, KDS, KM, KMHP
26	B000069	Bolt M8×65	1	KDL
27	600078	Grease Nipples M10	5	KDL, KDX, KDXP, KMHP
28	500077	Connecting bracket (small)	1	KDL
29	500078	Bronze bearing 110x115x60	2	KDL
30	500079	Overturning bracket	1	KDL
31	500014	Connection pipe (Long pin)	2	KDL
32	N000040	Lock nut M30×2	2	KDL
33	400078	Left roller protect	1	KDL, KDX
34	N000037	Lock nut M30	1	KDL, KDS
35	W000020	Washer 30	2	KDL
36	B000064	Bolt M30×80	1	KDL
37	500086	Limit plate	1	KDL
38	B000096	Bolt M14×35	4	KDL
39	W000003	Spring washer 14	4	KDL
40	W000016	Washer 14	6	KDL, KM, KDX, KDXP
41	400082	Hanging plate (Left)	1	KDL, KDX, KDXP
42	B000083	Bolt M12×25	4	KDL, KDXP
43	W000002	Spring washer 12	10	KDL, KDS, KM, KMHP, KDX, KDXP
44	W000010	Big washer 12	12	KDL, KDS, KM, KMHP, KDX, KDXP

KDL series

Ser.No	Code	Name & Specification	Quantit	Remarks
45	500094	Gear box cover welding parts	1	KDL
46	500095	Gearbox	1	KDL
47	000030	Gear box shaft cover	1	KDL, KDS, KM, KMHP, KDX, KDXP, KS
48	500097	Belt cover (right)	1	KDL
49	W000013	Big washer 8	2	KDL, KS
50	W000008	Spring washer 8	2	KDL, KMHP, KS
51	B000109	Bolt M8×16	2	KDL, KMHP, KS
52	500101	Belt 17×1346	3	KDL
53	500102	Big pulley	1	KDL
54	500103	Tension 33×80	1	KDL
55	B000149	Bolt M16×90	1	KDL
56	N000004	Nut M16	1	KDL
57	500106	Small pulley	1	KDL
58	400083	Tension 40×80	1	KDL, KDX, KDXP
59	500108	Baffle shaft for 140	1	KDL
	500109	Baffle shaft for 160	1	KDL
	500110	Baffle shaft for 180	1	KDL, KDX, KDXP
	400096	Baffle shaft for 200	1	KDL, KDX, KDXP
	400097	Baffle shaft for 220	1	KDL, KDX, KDXP
60	400110	Small baffle	N	KDL, KDX
61	N000034	Lock nut M18	2	KDL, KDX, KDXP
62	P000005	Cotter pin Ø4×25	2	KDL, KDS, KM, KMHP, KDX, KDXP, KS
63	B000085	Bolt M12×35	4	KDL, KDS, KM, KMHP, KDX, KDXP, KS
64	W000015	Washer 12	10	KDL, KDS, KM, KMHP, KDX, KDXP, KS
65	N000031	Lock nut M12	8	KDL, KDS, KM, KMHP, KDX, KDXP, KS
66	400111	Adjust plate (left)	1	KDL, KDX, KDXP
67	B000084	Bolt M12×30	6	KDL, KDS, KM, KMHP, KDX, KDXP
68	500121	Belt cover (left)	1	KDL
69	B000076	Bolt M10×30	4	KDL, KDS, KDXP
70	W000014	Washer 10	8	KDL, KDS, KMHP, KDX, KDXP, KS
71	N000030	Lock nut M10	4	KDL, KDS, KMHP, KDX, KDXP, KS
72	500125	Belt guard shield	1	KDL
73	500126	Bracket for gearbox	1	KDL
74	000024	PTO protection	1	KDL, KDS, KM, KMHP, KDX, KDXP
75	B000073	Bolt M10×16	4	KDL, KDS, KM, KMHP, KDX, KDXP
76	W000001	Spring washer 10	4	KDL, KDS, KM, KMHP, KDX, KDXP, KS
77	W000009	Big washer 10	4	KDL, KDS, KM, KMHP, KDX, KDXP, KS
78	OS000010	Oil seal 40×90×10	1	KDL, KDX, KDXP
79	OS000009	Oil seal 45×80×10	2	KDL, KDX, KDXP
80	400101	Combination bolt M16×40	8	KDL, KDX, KDXP

KDL series

Ser.No	Code	Name & Specification	Quantit	Remarks
81	400109	Lubrication hose	1	KDL, KDX
82	400103	Bearing housing	2	KDL, KDX, KDXP
83	N000032	Lock nut M14	N	KDL, KM, KDX, KDXP, KS
84	400108	Hammer (14 mm Hole)	N	KDL, KDX, KDXP
85	B000039	Bolt M14×90 (10.9Level)	N	KDL, KDX, KDXP
86	500139	Main roller for 140	1	KDL
	500140	Main roller for 160	1	KDL
	500141	Main roller for 180	1	KDL
	500142	Main roller for 200	1	KDL
	500143	Main roller for 220	1	KDL
87	500144	PTO Shaft 05B1800	1	KDL
88	400100	Big baffle	N	KDL, KDX
89	400094	Adjust plate (right)	1	KDL, KDX