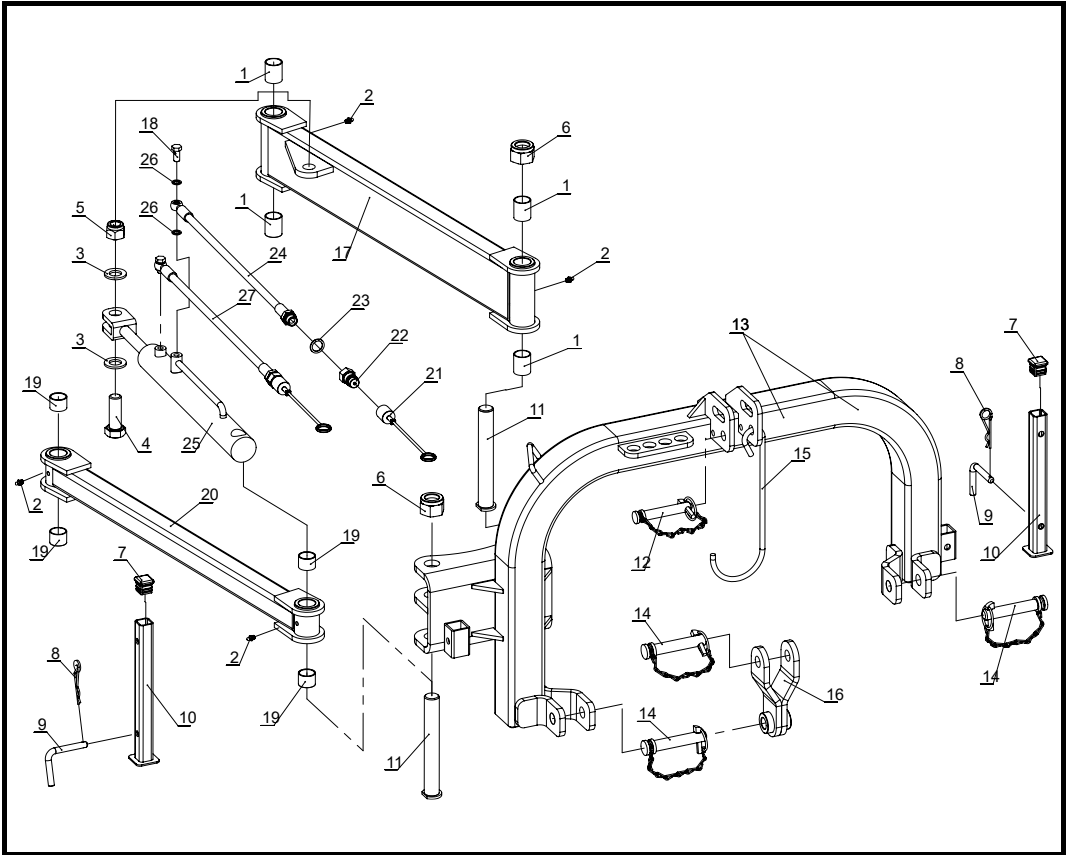


ASSEMBLY DRAWING LIST



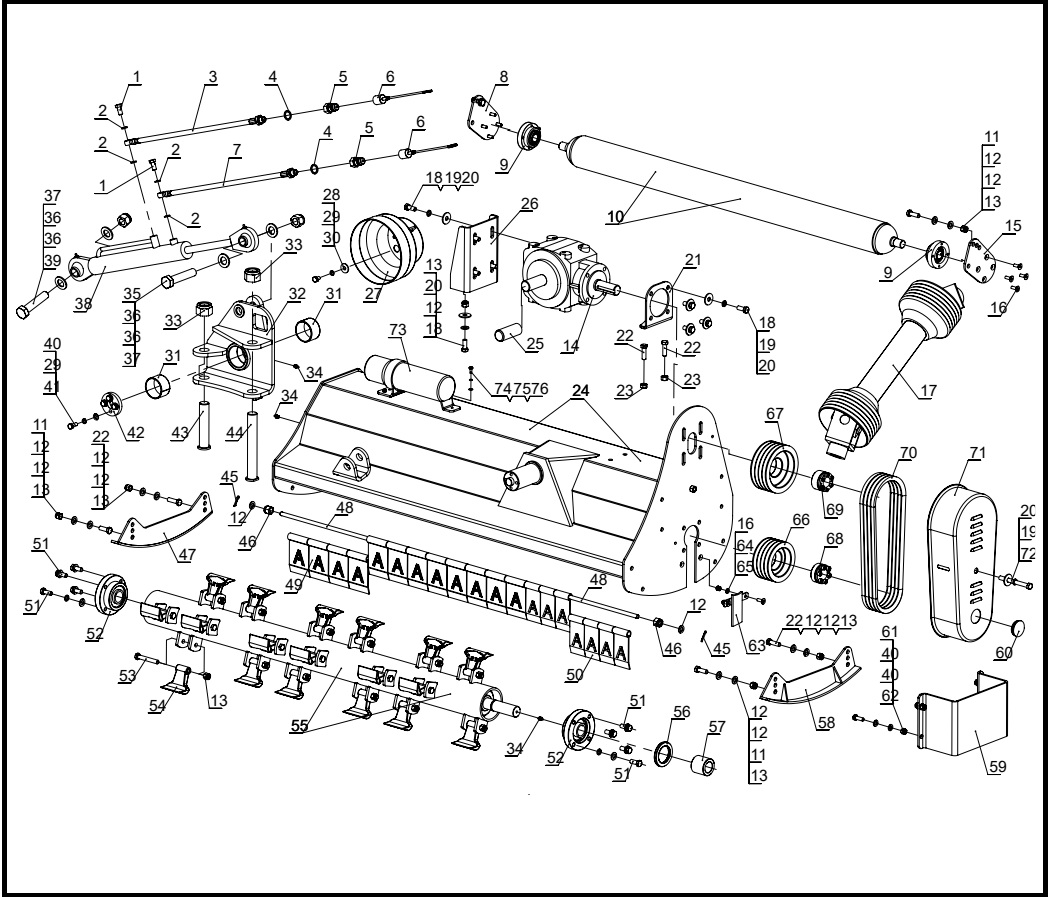
KDS three-point linkage

Ser.No	Code	Name & Specification	Quantity	Remarks
1	300001	Self-lubricating bearing 30×34×40	4	KDS
2	000082	Grease Nipples M8	4	KDS, KM, KMHP, KS
3	W000019	Washer 24	2	KDL, KDS
4	B000062	Bolt M24×70	1	KDS
5	N000036	Lock nut M24	1	KDL, KDS
6	N000037	Lock nut M30	2	KDL, KDS
7	000062	Support tube plug	2	KDS, KM, KMHP, KS
8	000063	R pin Ø3.5	2	KDL, KDS, KM, KMHP, KS
9	000064	Pin for support foot	2	KDL, KDS, KM, KMHP, KS

KDS three-point linkage

Ser.No	Code	Name & Specification	Quantity	Remarks
10	300010	Support foot	2	KDS
11	300011	Connection pipe (Long pin)	2	KDS
12	000001	Upper linkage pin	1	KDS, KM, KMHP, KS
13	300013	Linkage	1	KDS
14	300014	Lower linkage pin	3	KDS
15	100002	Hook	1	KDL, KDS, KDX, KDXP, KM, KMHP
16	300016	Lower locking	1	KDS
17	300017	Left joint square tube weldment	1	KDS
18	200008	Hollow bolt	2	KDL, KDS, KDX, KDXP, KMH, KMHP
19	300019	Self-lubricating bearing 30×34×25	4	KDS
20	300020	Right joint square tube weldment	1	KDS
21	200004	Quick change connector cover	2	KDL, KDS, KDX, KDXP, KMH, KMHP
22	200005	Hose Quick connector vG1/2	2	KDL, KDS, KDX, KDXP, KMH, KMHP
23	200006	Combination washer G1/2	2	KDL, KDS, KDX, KDXP, KMH, KMHP
24	500007	Hose 2000	1	KDL, KDS
25	300025	Flipping cylinder	1	KDS
26	200009	Combination washer 12	4	KDL, KDS, KDX, KDXP, KMH, KMHP
27	500007	Hose 2000	1	KDL, KDS

ASSEMBLY DRAWING LIST



KDS series

Ser.N	Code	Name & Specification	Quantity	Remarks
1	200008	Hollow bolt	2	KDL, KDS, KDX, KDXP, KMH, KMHP
2	200009	Combination washer Ø12	4	KDL, KDS, KDX, KDXP, KMH, KMHP
3	500032	Hose 3350	1	KDL, KDS
4	200006	Combination washer G1/2	2	KDL, KDS, KDX, KDXP, KMH, KMHP
5	200005	Hose Quick connector G1/2	2	KDL, KDS, KDX, KDXP, KMH, KMHP
6	200004	Quick change connector cover	2	KDL, KDS, KDX, KDXP, KMH, KMHP
7	500032	Hose 3350	1	KDL, KDS
8	300035	Roller connect plate (Right)	1	KDS

KDS series

Ser.N	Code	Name & Specification	Quantity	Remarks
9	100028	Bearings UC205	2	KDS, KM, KMHP
10	100031	Back roller for 125	1	KDS, KM
	300038	Back roller for 145	1	KDS
11	B000085	Bolt M12×35	4	KDL, KDS, KM, KMHP, KDX, KDXP, KS
12	W000015	Washer 12	16	KDL, KDS, KM, KMHP, KDX, KDXP, KS
13	N000031	Lock nut M12	N	KDL, KDS, KM, KMHP, KDX, KDXP, KS
14	100029	Gearbox	1	KDS, KM
15	300044	Roller connect plate (Left)	1	KDS
16	B000138	Hexagon socket countersunk head screws	10	KDS, KM, KMHP
17	300046	PTO Shaft 04B1400	1	KDS
18	B000084	Bolt M12×30	10	KDL, KDS, KM, KMHP, KDX, KDXP
19	W000002	Spring washer 12	9	KDL, KDS, KM, KMHP, KDX, KDXP
20	W000010	Big washer 12	11	KDL, KDS, KM, KMHP, KDX, KDXP
21	300050	Gearbox adjustment plate	1	KDS
22	B000086	Bolt M12×40	4	KDS, KM, KMHP
23	N000002	Nut M12	2	KDS
24	300053	Main body for 125	1	KDS
	300054	Main body for 145	1	KDS
25	000030	Gear box shaft cover	1	KDL, KDS, KM, KMHP, KDX, KDXP, KS
26	300057	Bracket for gearbox	1	KDS
27	000024	PTO protection	1	KDL, KDS, KM, KMHP, KDX, KDXP
28	B000073	Bolt M10×16	4	KDL, KDS, KM, KMHP, KDX, KDXP
29	W000001	Spring washer 10	8	KDL, KDS, KM, KMHP, KDX, KDXP, KS
30	W000009	Big washer 10	4	KDL, KDS, KM, KMHP, KDX, KDXP, KS
31	300062	Self-lubricating bearing 63×68×40	2	KDS
32	300063	Overturning bracket	1	KDS
33	N000037	Lock nut M30	2	KDL, KDS
34	000082	Grease Nipples M8	3	KDS, KM, KMHP, KS
35	B000060	Bolt M24×120	1	KDL, KDS
36	W000019	Washer 24	4	KDL, KDS
37	N000036	Lock nut M24	2	KDL, KDS
38	300069	Overturning cylinder	1	KDS
39	B000059	Bolt M24×110	1	KDL, KDS
40	W000014	Washer 10	12	KDL, KDS, KMHP, KDX, KDXP, KS
41	B000075	Bolt M10×25	4	KDS
42	300073	Limit plate	1	KDS
43	300074	Connection pipe body (Short pin)	1	KDS
44	300075	Connection pipe body (Long pin)	1	KDS
45	P000005	Cotter pin Ø4×25	2	KDL, KDS, KM, KMHP, KDX, KDXP, KS
46	N000033	Lock nut M16	2	KDL, KDX, KDXP, KM, KMHP
47	300078	Adjust plate (Right)	1	KDS

KDS series

Ser.N	Code	Name & Specification	Quantity	Remarks
48	100085	Baffle shaft for 125	1	KDS, KM
	300080	Baffle shaft for 145	1	KDS
49	000070	Big baffle	N	KDS, KM, KMHP, KS
50	000069	Small baffle	N	KDS, KM, KMHP, KS
51	100073	Combination bolt M12×30	8	KDS, KM, KMHP
52	100074	Bearings UC207	2	KDS, KM, KMHP
53	B000032	Bolt M12×80 (10.9Level)	N	KDS
54	300087	Hammer	N	KDS
55	300088	Main roller for 125	1	KDS
	300089	Main roller for 145	1	KDS
56	OS000005	Oil seal 55×80×10	1	KDS, KM, KMHP
57	100089	Sleeve	1	KDS, KM, KMHP
58	300092	Adjust plate (Right)	1	KDS
59	300093	Belt guard shield	1	KDS
60	000055	Rubber	1	KDS, KM, KMHP, KS
61	B000076	Bolt M10×30	4	KDL, KDS, KDXP
62	N000030	Lock nut M10	4	KDL, KDS, KMHP, KDX, KDXP, KS
63	300097	T cover	1	KDS
64	N000039	Lock nut M8	2	KDL, KDS, KM, KMHP, KS
65	W000021	Washer 8	2	KDL, KDS, KM, KMHP
66	300100	Small pulley	1	KDS
67	300101	Big pulley	1	KDS
68	100049	Tension 35×60	1	KDS, KM, KMHP
69	300103	Tension 33×60	1	KDS
70	300104	Belt 13×1016	4	KDS
71	000056	Belt cover	1	KDS, KM, KMHP, KS
72	B000025	Bolt M12×120	1	KDS, KM, KMHP
73	000029	Instructions box	1	Optional
74	B000143	Cross recessed pan head screw M6×16	3	Optional
75	W000024	Spring washer 6	3	Optional
76	W000025	Washer 6	3	Optional