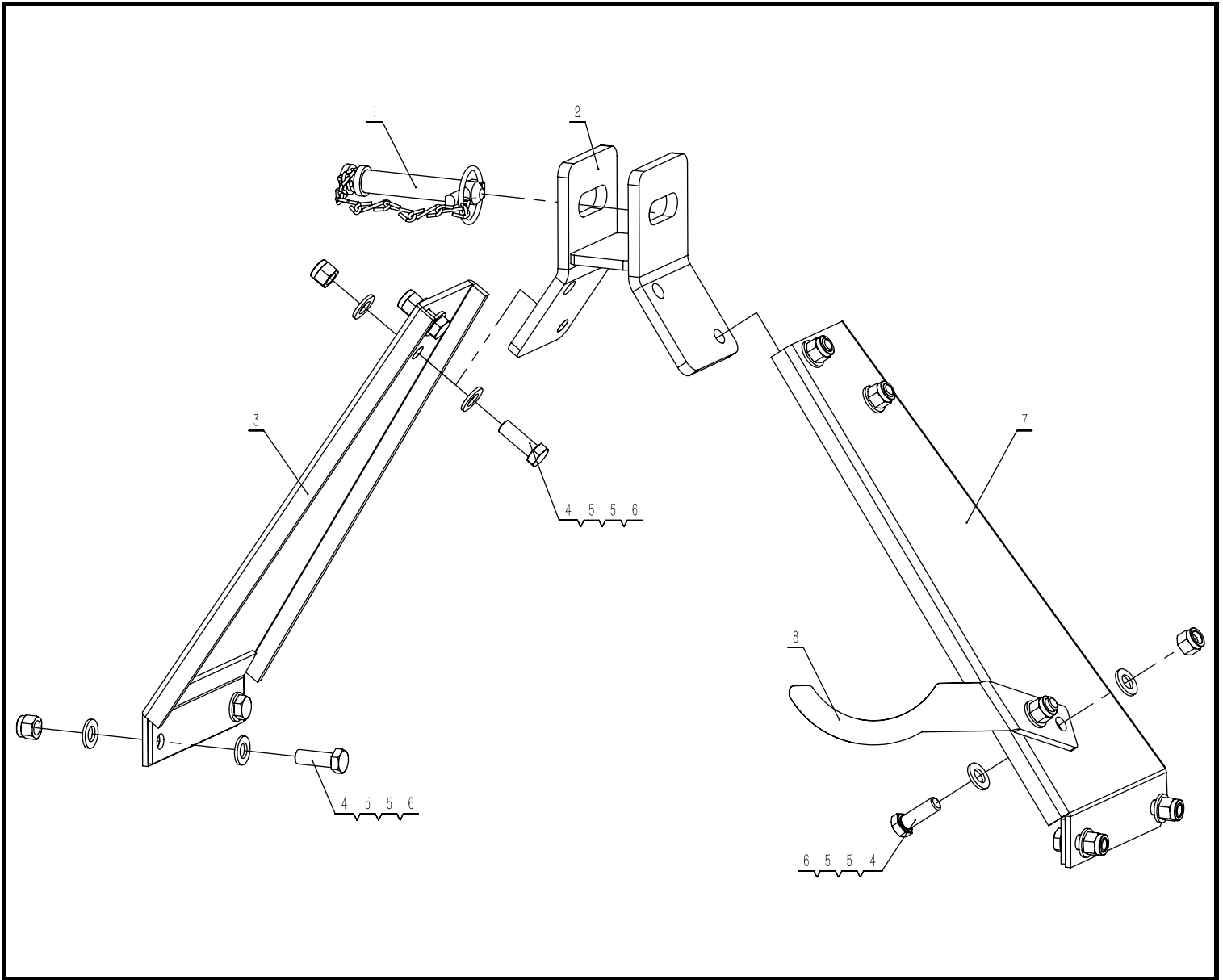


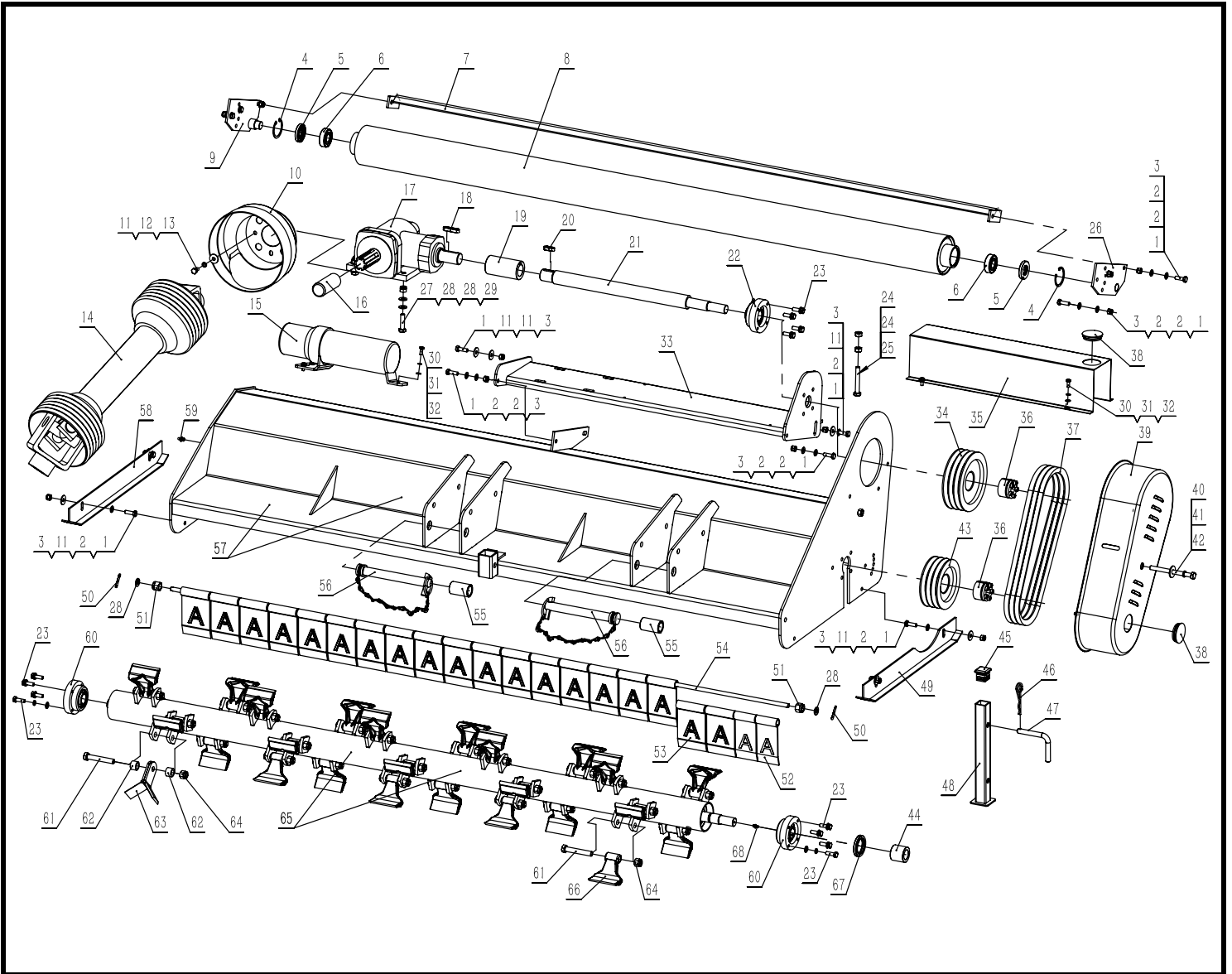
ASSEMBLY DRAWING LIST



KS three-point linkage

Ser.No	Code	Name & Specification	Quantity	Remarks
1	000001	Upper linkage pin	1	KDS, KM, KMHP, KS
2	000002	Upper linkage parts	1	KS
3	000003	Linkage plate (Right)	1	KS
4	B000085	Bolt M12×35	10	KDL, KDS, KM, KMHP, KDX, KDXP, KS
5	W000015	Washer 12	20	KDL, KDS, KM, KMHP, KDX, KDXP, KS
6	N000031	Lock nut M12	10	KDL, KDS, KM, KMHP, KDX, KDXP, KS
7	000007	Linkage plate (Left)	1	KS
8	000008	Hook	1	KS

ASSEMBLY DRAWING LIST



KS series

Ser.No	Code	Name & Specification	Quantity	Remarks
1	B000111	Bolt M8×25	14	KS
2	000010	Washer 8	21	KS
3	N000039	Lock nut M8	14	KDL, KM, KMHP, KS
4	S000003	Circlip for hole 47	2	KS
5	OS000001	Oil seal 25×47×7	2	KS
6	000014	Bearing 6204-2RZ	2	KS
7	000015	Scraper welded parts for 95	1	KS
	000016	Scraper welded parts for 115	1	KS
	100024	Scraper welded parts for 125	1	KM, KS
	000018	Scraper welded parts for 135	1	KS

KS series

Ser.No	Code	Name & Specification	Quantity	Remarks
8	000019	Back roller for 95	1	KS
	000020	Back roller for 115	1	KS
	000021	Back roller for 125	1	KS
	000022	Back roller for 135	1	KS
9	000023	Roller connect plate (Right)	1	KS
10	001924	PTO protection	1	KS
11	W000013	Big washer 8	9	KDL, KS
12	W000008	Spring washer 8	2	KDL, KMHP, KS
13	B000109	Bolt M8×16	2	KDL, KMHP, KS
14	000028	PTO Shaft 04B1000	1	KM, KMHP, KS
15	000029	Instructions box	1	Optional
16	000030	Gear box shaft cover	1	KDL, KDS, KM, KMHP, KDX, KDXP, KS
17	000031	Gearbox	1	KS
18	K000004	Flat key 10×45	1	KS
19	000033	Drive shaft tube	1	KS
20	K000003	Flat key 10×30	1	KS
21	000035	Drive shaft	1	KS95-115
	000036	Drive shaft	1	KS125-135
22	000037	Bearings UC205	1	KS
23	000038	Composite bolt M8×25	12	KS
24	N000001	Nut M10	2	KMHP, KS
25	B000081	Bolt M10×70	1	KS
26	000041	Roller connect plate (Left)	1	KS
27	B000078	Bolt M10×40	4	KS
28	W000014	Washer 10	10	KDL, KDS, KMHP, KDX, KDXP, KS
29	N000030	Lock nut M10	4	KDL, KDS, KMHP, KDX, KDXP, KS
30	B000143	Cross recessed pan screw M6×16	7	Optional
31	W000024	Spring washer 6	7	Optional
32	W000025	Washer 6	7	Optional
33	000048	Bracket for gearbox	1	KS95-115
	000049	Bracket for gearbox	1	KS125-135
34	000050	Big pulley	1	KS
35	000051	Drive shaft protective plate	1	KS95-115
	000052	Drive shaft protective plate	1	KS125-135
36	000053	Tension 22×47	2	KS
37	000054	Belt 13×930	3	KS
38	000055	Rubber	2	KDS, KM, KMHP, KS
39	000056	Belt cover	1	KDS, KM, KMHP, KS
40	W000001	Spring washer 10	1	KDL, KDS, KM, KMHP, KDX, KDXP, KS
41	W000009	Big washer 10	1	KDL, KDS, KM, KMHP, KDX, KDXP, KS
42	B000017	Bolt M10×120	1	KS

KS series

Ser.No	Code	Name & Specification	Quantity	Remarks
43	000060	Small pulley	1	KS
44	000061	Sleeve	1	KS
45	000062	Support tube plug	1	KDS, KM, KMHP, KS
46	000063	R pin Ø3.5	1	KDL, KDS, KM, KMHP, KS
47	000064	Pin for support foot	1	KDL, KDS, KM, KMHP, KS
48	000065	Support foot	1	KM, KMHP, KS
49	000066	Adjust plate (Left)	1	KS
50	P000005	Cotter pin Ø4×25	2	KDL, KDS, KM, KMHP, KDX, KDXP, KS
51	N000032	Lock nut M14	2	KDL, KM, KDX, KDXP, KS
52	000069	Small baffle	N	KDS, KM, KMHP, KS
53	000070	Big baffle	N	KDS, KM, KMHP, KS
54	000071	Baffle shaft for 95	1	KS
	000072	Baffle shaft for 115	1	KS
	000073	Baffle shaft for 125	1	KS
	000074	Baffle shaft for 135	1	KS
55	000075	Lower linkage pin sleeve	2	KS
56	000076	Lower linkage pin	2	KS
57	000077	Main body for 95	1	KS
	000078	Main body for 115	1	KS
	000079	Main body for 125	1	KS
	000080	Main body for 135	1	KS
58	000081	Adjust plate (Right)	1	KS
59	000082	Grease Nipples M8	1	KDS, KM, KMHP, KS
60	000083	Bearings UC205	2	KS
61	B000030	Bolt M12×75 (10.9Level)	N	KS
62	000085	Blade sleeve	2	KS, KDS
63	000086	Y Blade	2	KS, KDS
64	N000031	Lock nut M12	N	KDL, KDS, KM, KMHP, KDX, KDXP, KS
65	000088	Main roller for 95	1	KS
	000089	Main roller for 115	1	KS
	000090	Main roller for 125	1	KS
	000091	Main roller for 135	1	KS
66	000092	Hammer	N	KS
67	OS000006	Oil seal 40×55×8	1	KS
68	000094	Grease Nipples M6	1	KDXP, KS