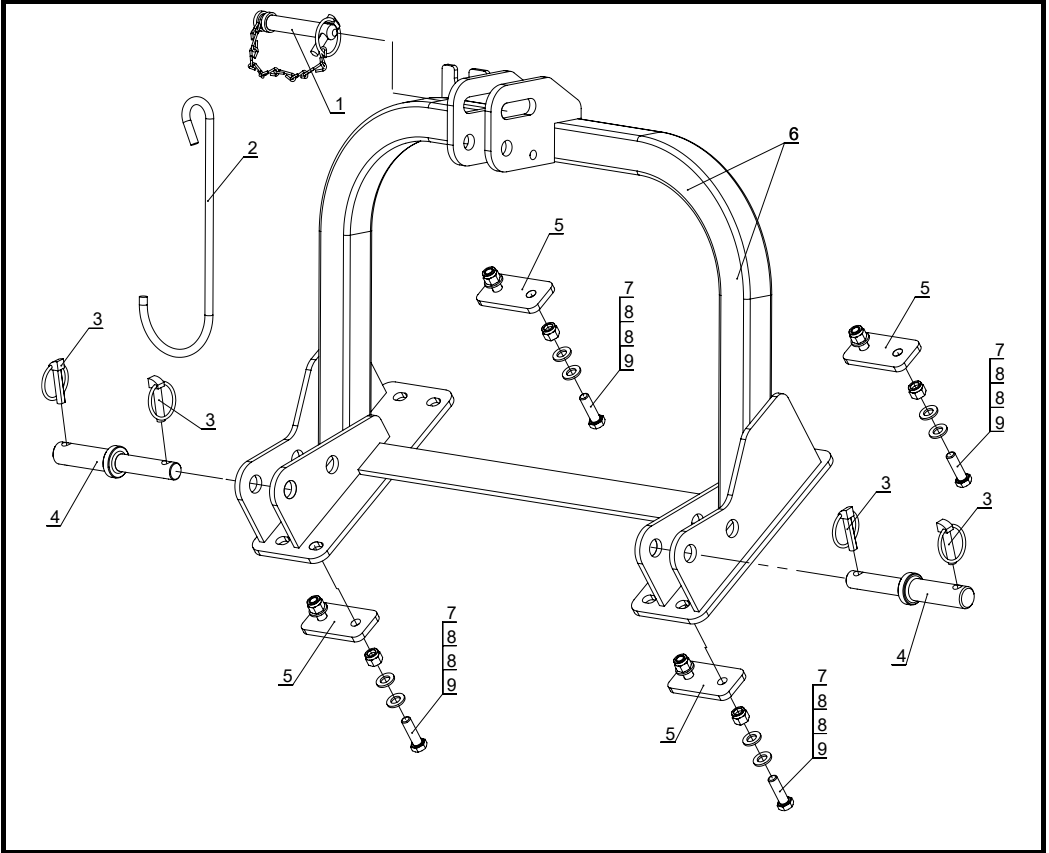


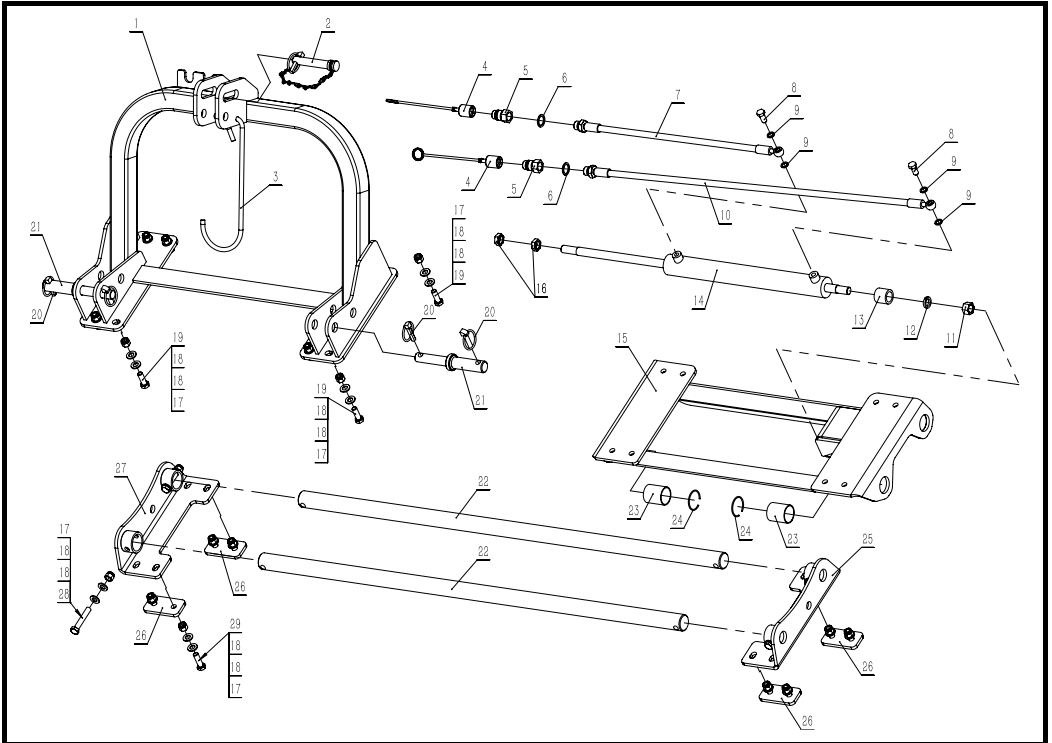
ASSEMBLY DRAWING LIST



KM three-point linkage

Ser.No	Code	Name & Specification	Quantity	Remarks
1	000001	Upper linkage pin	1	KDS, KM, KMHP, KS
2	100002	Hook	1	KDL, KDS, KDX, KDXP, KM, KMHP
3	100003	Lock pin assembly	4	KDL, KDX, KDXP, KM, KMHP
4	100004	Lower linkage pin	2	KM, KMHP
5	100005	Lining board	4	KM
6	100006	connection plate	1	KM
7	N000031	Lock nut M12	8	KDL, KDS, KM, KMHP, KDX, KDXP, KS
8	W000015	Washer 12	16	KDL, KDS, KM, KMHP, KDX, KDXP, KS
9	B000086	Bolt M12×40	8	KDS, KM, KMHP

ASSEMBLY DRAWING LIST



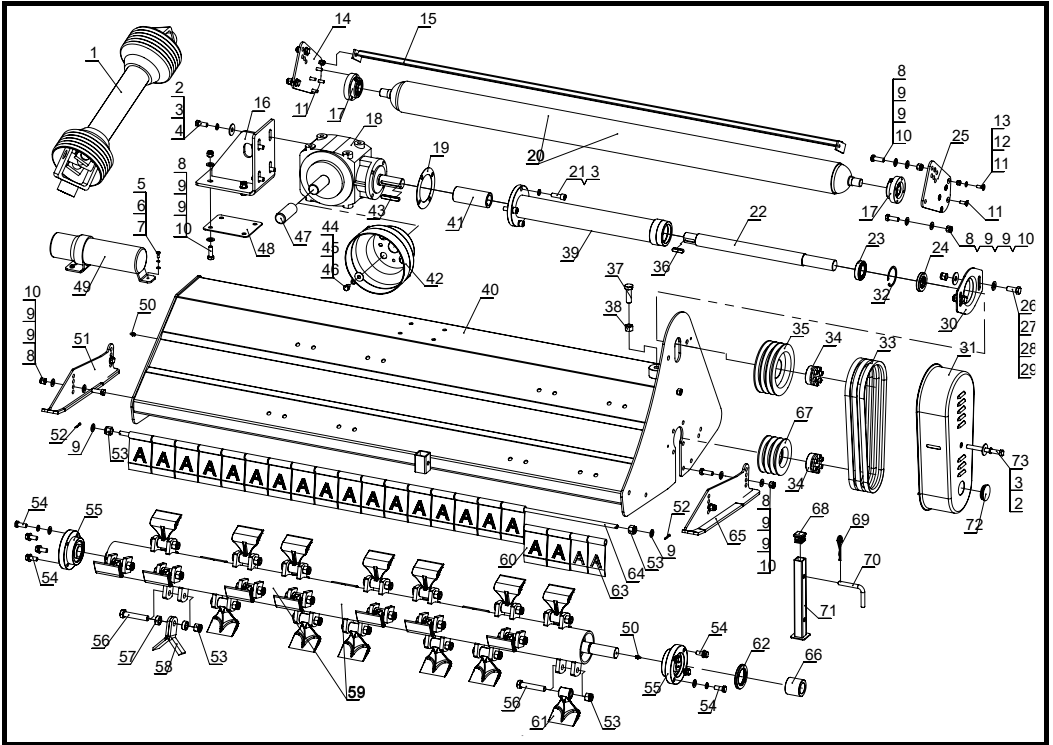
KMH three-point linkage

Ser.No	Code	Name & Specification	Quantity	Remarks
1	100006	Linkage	1	KM
2	000001	Upper linkage pin	1	KDS, KM, KMHP, KS
3	100002	Hook	1	KDL, KDS, KDX, KDXP, KM, KMHP
4	200004	Quick change connector cover	2	KDL, KDS, KDX, KDXP, KMH, KMHP
5	200005	Hose Quick connector G1/2	2	KDL, KDS, KDX, KDXP, KMH, KMHP
6	200006	Combination washer G1/2	2	KDL, KDS, KDX, KDXP, KMH, KMHP
7	200007	Hose 1500mm	1	KMH, KMHP, KDX, KDXP
8	200008	Hollow bolt	2	KDL, KDS, KDX, KDXP, KMH, KMHP
9	200009	Combination washer 12	4	KDL, KDS, KDX, KDXP, KMH, KMHP
10	200010	Hose 1900mm	1	KMH, KMHP, KDX, KDXP
11	N000012	Nut M18×1.5	1	KMH, KMHP, KDX, KDXP
12	W000005	Spring washer 18	1	KMH, KMHP, KDX, KDXP
13	200013	Cylinder sleeve	1	KMH, KMHP, KDX, KDXP

KMH three-point linkage

Ser.No	Code	Name & Specification	Quantity	Remarks
14	200014	Cylinder	1	KDX180-200, KMH, KMHP
15	200015	Suspension connection plate	1	KMH
16	N000018	Thin nut M18×1.5	2	KMH, KMHP, KDX, KDXP
17	N000031	Lock nut M12	20	KDL, KDS, KM, KMHP, KDX, KDXP, KS
18	W000015	Washer 12	40	KDL, KDS, KM, KMHP, KDX, KDXP, KS
19	B000085	Bolt M12×35	8	KDL, KDS, KM, KMHP, KDX, KDXP, KS
20	100003	Lock pin	4	KDL, KDX, KDXP, KM, KMHP
21	100004	Lower linkage pin	2	KM, KMHP
22	200022	Slide pipe	2	KMH, KMHP
23	200023	Self-lubricating bearing 40×44×50	4	KDX180-200, KDL, KMH, KMHP
24	S000015	Circlip for hole 45	4	KDX180-200, KMH, KMHP
25	200025	Right Support plate	1	KMH
26	100005	Mounting plate	4	KM
27	200027	Left Support plate	1	KMH
28	B000029	Bolt M12×70	4	KMH, KMHP
29	B000086	Bolt M12×40	8	KDS, KM, KMHP

ASSEMBLY DRAWING LIST



KM series

Ser.No	Code	Name & Specification	Quantity	Remarks
1	000028	PTO shaft 04B1000	1	KM, KMHP, KS
2	W000010	Big washer 12	5	KDL, KDS, KM, KMHP, KDX, KDXP
3	W000002	Spring washer 12	9	KDL, KDS, KM, KMHP, KDX, KDXP
4	B000084	Bolt M12×30	4	KDL, KDS, KM, KMHP, KDX, KDXP
5	W000025	Washer 6	3	Optional
6	W000024	Spring washer 6	3	Optional
7	B000143	Cross recessed pan head screws M6×16	3	Optional
8	N000031	Lock nut M12	12	KDL, KDS, KM, KMHP, KDX, KDXP, KS
9	W000015	Washer 12	26	KDL, KDS, KM, KMHP, KDX, KDXP, KS
10	B000085	Bolt M12×35	12	KDL, KDS, KM, KMHP, KDX, KDXP, KS
11	B000138	Hexagon socket countersunk head screws M8×25	10	KDS, KM, KMHP
12	W000021	Washer 8	2	KDL, KDS, KM, KMHP
13	N000039	Lock nut M8	2	KDL, KM, KMHP, KS

KM series

Ser.No	Code	Name & Specification	Quantity	Remarks
14	100023	Roller connect plate (Right)	1	KM, KMHP
15	100024	Scraper welded parts for 125	1	KM, KS
	100025	Scraper welded parts for 155	1	KM, KMHP
	100026	Scraper welded parts for 175	1	KM, KMHP
16	100027	Bracket for gearbox	1	KM
17	100028	Bearings UC205	2	KDS, KM, KMHP
18	100029	Gearbox	1	KDS, KM
19	100030	Paper washer	1	KM, KMHP, KDX, KDXP
20	100031	Back roller for 125	1	KDS, KM
	100032	Back roller for 155	1	KM, KMHP
	100033	Back roller for 175	1	KM, KMHP
21	B000146	Hex cylinder head screw M12×35	4	KM, KMHP, KDX, KDXP
22	100035	Drive shaft for 125	1	KM
	100036	Drive shaft for 155	1	KM
	100037	Drive shaft	1	KM175, KMHP155-175
23	100038	Bearing 6007-2RZ	1	KM, KMHP
24	OS000002	Oil seal 35×62×10	1	KM, KMHP
25	100040	Roller connect plate (Left)	1	KM, KMHP
26	B000097	Bolt M14×40	2	KM, KDX, KDXP
27	W000016	Washer 14	2	KDL, KM, KDX, KDXP
28	W000011	Big washer 14	2	KM, KDX
29	N000032	Lock nut M14	2	KDL, KM, KDX, KDXP, KS
30	100045	Drive shaft support plate	1	KM
31	000056	Belt cover	1	KDS, KM, KMHP, KS
32	S000006	Circlip for hole 62	1	KM, KMHP
33	100048	Belt 17×1016	3	KM, KMHP
34	100049	Tension 35×60	2	KDS, KM, KMHP
35	100050	Big pulley	1	KM, KMHP
36	K000001	Key A10×40	1	KM, KMHP, KDX, KDXP
37	B000130	Bolt M16×1.5×50	1	KM, KDX
38	N000011	Nut M16×1.5	1	KM, KDX
39	100054	Drive shaft pipe for 125	1	KM
	100055	Drive shaft pipe for 155	1	KM
	100056	Drive shaft pipe for 175	1	KM175, KMP155-175
40	100057	Main body for 125	1	KM
	100058	Main body for 155	1	KM
	100059	Main body for 175	1	KM
41	100060	Drive shaft tube	1	KM, KMHP, KDX, KDXP
42	000024	PTO protection	1	KDL, KDS, KM, KMHP, KDX, KDXP
43	K000009	Key A10×65	1	KM, KMHP, KDX, KDXP
44	W000009	Big washer 10	4	KDL, KDS, KM, KMHP, KDX, KDXP, KS

KM series

Ser.No	Code	Name & Specification	Quantity	Remarks
45	W000001	Spring washer 10	4	KDL, KDS, KM, KMHP, KDX, KDXP, KS
46	B000073	Bolt M10×16	4	KDL, KDS, KM, KMHP, KDX, KDXP
47	000030	Gear box shaft cover	1	KDL, KDS, KM, KMHP, KDX, KDXP, KS
48	100067	Gearbox mounting plate	1	KM
49	000029	Instructions box	1	Optional
50	000082	Grease Nipples M8	2	KDS, KM, KMHP, KS
51	100070	Adjust plate (right)	1	KM, KMHP
52	P000005	Cotter pin Ø4×25	2	KDL, KDS, KM, KMHP, KDX, KDXP, KS
53	N000033	Lock nut M16	N	KDL, KDS, KDX, KDXP, KM, KMHP
54	100073	Composite bolt M12×30	8	KDS, KM, KMHP
55	100074	Bearings UC207	2	KDS, KM, KMHP
56	B000047	Bolt M16×85 (10.9 Level)	N	KM, KMHP
57	100076	Blade sleeve	2N	Optional
58	100077	Y Blade	2N	
59	100078	Main roller for 125	1	KM
	100079	Main roller for 155	1	KM, KMHP
	100080	Main roller for 175	1	KM, KMHP
60	000070	Big baffle	N	KDS, KM, KMHP, KS
61	100082	Hammer	N	KM, KMHP
62	OS000005	Oil seal 55×80×10	1	KDS, KM, KMHP
63	000069	Small baffle	N	KDS, KM, KMHP, KS
64	100085	Baffle shaft for 125	1	KM, KDS
	100086	Baffle shaft for 155	1	KM, KMHP
	100087	Baffle shaft for 175	1	KM, KMHP
65	100088	Adjust plate (Left)	1	KM, KMHP
66	100089	Sleeve	1	KDS, KM, KMHP
67	100090	Small pulley	1	KM, KMHP
68	000062	Support tube plug	1	KDS, KM, KMHP, KS
69	000063	R pin Ø3.5	1	KDL, KDS, KM, KMHP, KS
70	000064	Pin for support foot	1	KDL, KDS, KM, KMHP, KS
71	000065	Support foot	1	KM, KMHP, KS
72	000055	Rubber	1	KDS, KM, KMHP, KS
73	B000025	Bolt M12×120	1	KDS, KM, KMHP